



WPH43H

PRODUCT SPECIFICATIONS



UP TO 13 SEER

2 TO 5 TONS

COOLING CAPACITY: 25,000 - 57,000 BTU/h

HEATING CAPACITY: 24,000 - 54,400 BTU/h



* To receive the 10-Year Parts Limited Warranty, online registration must be completed within 60 days of installation. Online registration is not required in California or Québec. Full warranty details available at www.whirlpoolhvac.com.

PACKAGED HEAT PUMP

The Whirlpool® brand WPH43H Packaged Heat Pump provides energy-efficient cooling and heating performance in one self-contained unit. The WPH43H is housed in a heavy-gauge, galvanized-steel cabinet that offers a high-quality, UV-resistant powder-paint finish and allows for a ground-level or rooftop mount.

Standard Features

- R-410A chlorine-free refrigerant
- Energy-efficient scroll compressor with internal relief valve
- PSC blower motor; EEM blower motor on 5-ton units
- Quiet horizontal only discharge
- Copper tube/aluminum fin coil
- Totally enclosed, permanently lubricated condenser fan motor
- Fully charged system
- Electric heat kit available as a field-installed option
- AHRI Certified
- ETL Listed

Cabinet Features

- Heavy-gauge galvanized-steel cabinet with attractive Hannah Slate Gray Durashield® powder-paint finish
- Fully insulated blower compartment with convenient access panels
- Louvered condenser coil protection
- One footprint; three heights

Contents

Nomenclature.....	2
Accessories.....	2
Product Specifications	3
Dimensions	4
Airflow Data.....	5
Expanded Cooling Data	8
Expanded Heating Data	20
Heat Kit Electrical Data	22
Wiring Diagrams	23

PRODUCT SPECIFICATIONS

NOMENCLATURE

	W	P	H	4	3	36	A	H	*	*			
	1	2	3	4	5	6,7	8	9	10	11			
Brand	W Whirlpool									Engineering			
										Minor Revision			
										Major Revision			
Product Category	P Packaged Unit									Configuration			
										H Horizontal			
										M Multi-position			
Type	H Heat Pump									Voltage Designator			
	C Air Conditioner									1 208-230/1/60			
Refrigerant	4 R410A									Nominal Capacity			
										24	2 Tons	42	3½ Tons
										30	2½ tons	48	4 Tons
										36	3 Tons	60	5 Tons
Efficiency	3 13 SEER 5 15 SEER												
	4 14 SEER 6 16 SEER												

ACCESSORIES

Item	Description
OT/EHR18-60	Emergency Heat Relay kit
OT18-60A	Outdoor Thermostat Kit with Lockout Stat
PCCP102/103	Roof Curb for for Medium/Large Chassis
PCE102/103	Downflow Economizer for for Medium/Large Chassis
PCEF102/103	Elbow & Flashing w/ R-8 Liner for Medium/Large Chassis
PCFR102/103	External Horizontal Filter Rack for Medium/Large Chassis
PCMD102/103	Manual Damper for Medium/Large Chassis
PCMDH102/103	Manual Damper for Medium/Large Chassis — Horizontal Applications
PCMDM102/103	Motorized Damper for Medium/Large Chassis
PCP102/103	Downflow Plenum Kit for Medium/Large Chassis
PCP102/103R8	Downflow Plenum Kit for Medium/Large Chassis
SQRPC101	Square-to-Round Adapter for Small Chassis — 16" Rounds
SQRPC102-103	Square-to-Round Adapter for Medium/Large Chassis — 18" Rounds
SQRPCH101	Square-to-Round Adapters Small Chassis for Small Chassis — 16" x 14"
SQRPCH102-103	Square-to-Round Adapters for Medium/Large Chassis — 18" x 14"

SPECIFICATIONS

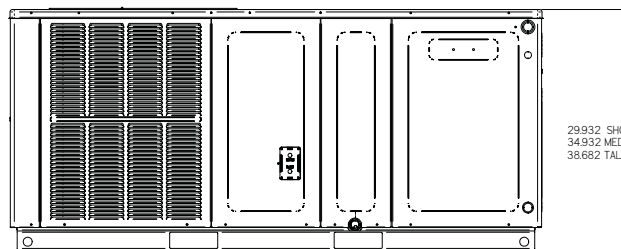
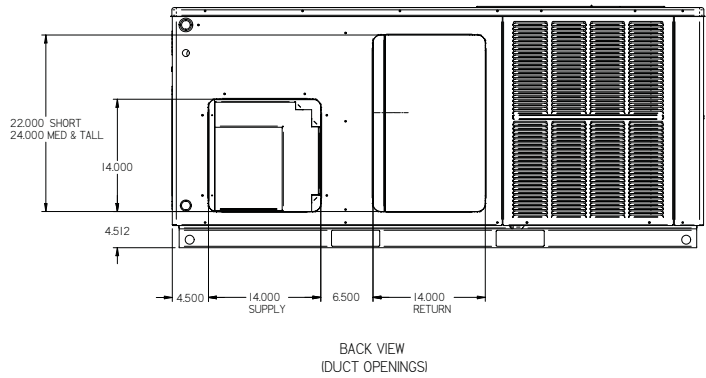
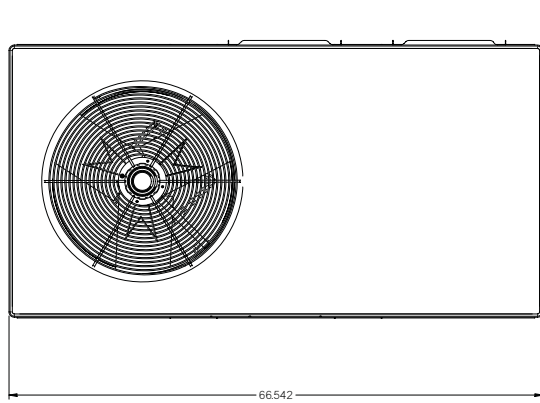
	WPH43 24AH	WPH43 30AH	WPH43 36AH	WPH43 42AH	WPH43 48AH	WPH43 60AH
Cooling Capacity						
Total BTU/h	24,000	28,200	35,000	40,500	46,000	57,500
Sensible BTU/h	29,300	22,300	26,400	29,400	35,700	42,700
SEER / EER	13.0 / 11.0	13.0 / 11.0	13.0 / 11.0	13.0 / 11.0	13.0 / 11.0	13.0 / 11.0
Decibels	76	76	78	78	80	80
AHRI Numbers	4385228	4385229	4385230	4382531	4385232	4385233
Heating Capacity						
BTU/h (47°F)	22,000	27,000	33,600	38,000	44,500	54,500
C.O.P. (47°F)	3.4	3.4	3.5	3.6	3.6	3.6
BTU/h (17°F)	14,000	15,000	18,000	21,800	26,000	32,000
C.O.P. (17°F)	2.4	2.3	2.4	2.2	2.4	2.4
HSPF	7.7	7.7	7.7	7.8	7.7	7.7
Evaporator Motor						
Type	DD	DD	DD	DD	DD	DD
Wheel (D x W)	9 x 6	9 x 6	9 x 8	10 x 8	10 x 8	11 x 8
Nominal Cooling CFM	875	1,080	1,205	1,410	1,585	1,850
RLA / LRA	1.5 / 2.2	1.86 / 3.2	1.86 / 3.2	2.87 / 4.9	2.87 / 4.9	5.8 / 8.0
No. of Speeds	3	3	3	3	3	3
Horsepower - RPM	¼ - 1,075	⅓ - 1,075	⅓ - 1,075	½ - 1,075	½ - 1,075	¾ - 1,075
Evaporator Coil						
Face Area (ft ²)	4.6	4.6	6.2	6.2	6.2	7.0
Rows Deep / Fins per Inch	3 / 14	3 / 14	3 / 14	4 / 14	4 / 14	4 / 14
Filter Size (ft ²)	20 x 20 x 1	20 x 25 x 1	25 x 25 x 1	(2) 20 x 20 x 1	(2) 20 x 20 x 1	(2) 20 x 25 x 1
Drain Size (NPT)	¾"	¾"	¾"	¾"	¾"	¾"
Refrigerant Charge (oz.)	115	140	125	140	170	175
Condenser Fan / Coil						
Horsepower - RPM	1/6 - 815	1/6 - 815	¼ - 830	¼ - 1075	¼ - 1075	¼ - 1075
RLA / LRA	1.1 / 1.7	1.1 / 1.7	1.5 / 3.0	1.4 / 2.9	1.4 / 2.9	1.4 / 2.9
Fan Diameter / # Fan Blades	22 / 3	22 / 3	22 / 4	22 / 4	22 / 4	22 / 4
Face Area (ft ²)	13.4	13.4	17	17	19.1	19.1
Rows Deep/ Fins per Inch	1 / 24	1 / 24	1 / 24	1 / 24	2 / 16	2 / 16
Electrical Data						
Voltage/Phase/ Frequency	208/230-1-60	208/230-1-60	208/230-1-60	208/230-1-60	208/230-1-60	208/230-1-60
Compressor RLA / LRA	12.8 / 58.3	14.1 / 73	16.7 / 79	17.9 / 112	19.9 / 109	26.4 / 134
Indoor Blower FLA	1.5	1.86	1.86	2.87	2.87	5.8
Outdoor Fan RLA	1.1	1.1	1.5	1.4	1.4	1.4
Total Unit Amps	15.4	17.06	20.06	22.2	24.17	33.6
Min. Circuit Ampacity ¹	18.6	20.6	24.1	26.6	29.2	40.2
Max. Overcurrent Protection ²	30	30	40	40	45	60
Ship Weight (lbs)	325	325	385	385	415	415

¹ Wire size should be determined in accordance with National Electrical Codes. Extensive wire runs will require larger wire sizes.

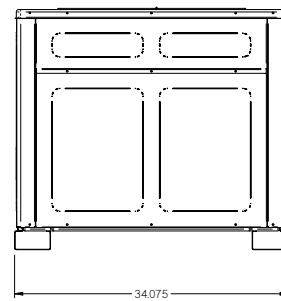
² Must use time-delay fuses or HACR-type circuit breakers of the same size as noted. Always check the S&R plate for electrical data on the unit being installed.

PRODUCT SPECIFICATIONS

DIMENSIONS



29.932 SHORT CHASSIS
34.932 MEDIUM CHASSIS
38.682 TALL CHASSIS



Model	Dimensions			Chasis Size		
	W"	D"	H"	Small	Med.	Large
WPH4324AH	66½	34	30	X		
WPH4330AH	66½	34	30	X		
WPH4336AH	66½	34	35		X	
WPH4342AH	66½	34	35		X	
WPH4348AH	66½	34	38⅔			X
WPH4360AH	66½	34	38⅔			X

AIRFLOW DATA

Model	Speed	Volts		E.S.P (In. of H ₂ O)							
				0.1	0.2	0.3	0.4	0.5	0.6	0.7	0.8
WPH43 24AH	Low	230	CFM	680	640	590	555	505	440	340	-
			Watts	155	150	145	140	130	120	110	-
	Med	230	CFM	895	855	815	755	700	630	545	390
			Watts	230	220	215	205	195	180	170	145
	High	230	CFM	1,185	1,130	1,070	1,010	930	850	760	650
			Watts	350	340	325	310	295	280	265	245
WPH43 30AH	Low	230	CFM	1,150	1,080	1,025	975	925	845	-	-
			Watts	340	330	315	305	295	280	-	-
	Med	230	CFM	1,335	1,275	1,205	1,135	1,075	985	910	845
			Watts	425	415	400	385	370	350	330	310
	High	230	CFM	1,435	1,355	1,290	1,210	1,130	1,040	960	885
			Watts	485	465	455	435	415	400	385	370
WPH43 36AH	Low	230	CFM	1,180	1,125	1,075	1,020	955	875	655	-
			Watts	335	325	315	305	295	275	240	-
	Med	230	CFM	1,350	1,280	1,205	1,130	1,050	985	910	845
			Watts	435	420	405	385	375	350	330	310
	High	230	CFM	1,450	1,370	1,290	1,205	1,130	1,040	960	885
			Watts	495	480	465	440	425	400	385	370

Notes:

1. Data shown is dry coil; wet coil pressure drop is approximate.
2. 0.1" H₂O, for 2-row indoor coil; 0.2" H₂O, for 3-row indoor coil; and 0.3" H₂O, for 4-row indoor coil
3. Data shown does not include filter pressure drop, approx. 0.08" H₂O.
4. ALL MODELS SHOULD RUN NO LESS THAN 350 CFM / TON, USE HIGHER SPEED TAP OR NEXT SIZE LARGER BLOWER ASM. See Repair Parts list.
5. Reduce airflow by 2% for 208V operation.

PRODUCT SPECIFICATIONS

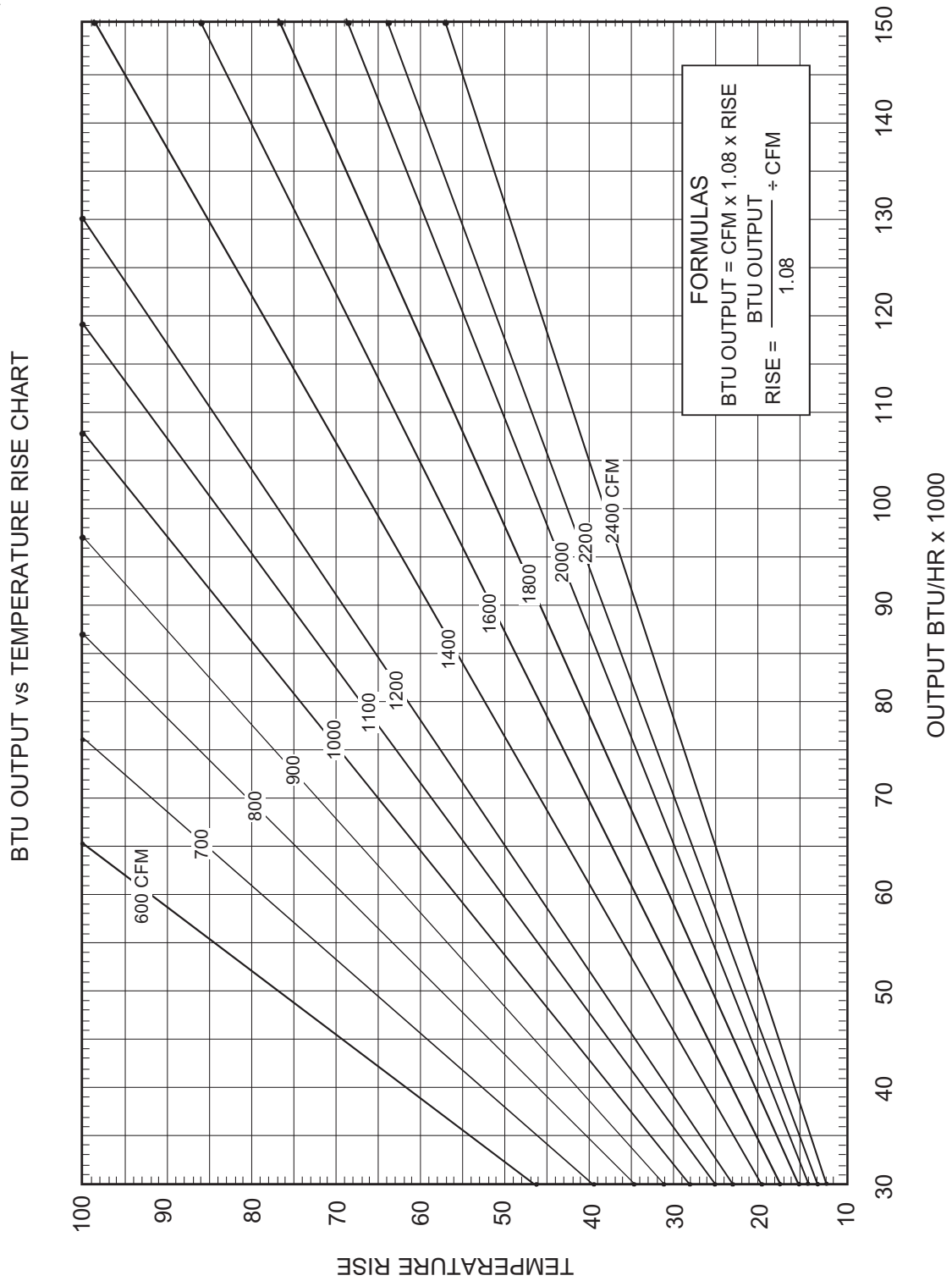
AIRFLOW DATA (CONT.)

Model	Speed	Volts	E.S.P (In. of H ₂ O)								
			0.1	0.2	0.3	0.4	0.5	0.6	0.7	0.8	
WPH43 42AH	Low	230	CFM	1,425	1,410	1,355	1,310	1,245	1,170	1,080	-
			Watts	450	445	430	420	405	390	370	-
	Med	230	CFM	1,620	1,595	1,545	1,485	1,425	1,345	1,250	1,160
			Watts	550	540	525	510	495	475	450	425
	High	230	CFM	1,945	1,935	1,875	1,800	1,730	1,635	1,535	1,440
			Watts	765	755	735	715	695	670	640	615
WPH43 48AH	Low	230	CFM	1,425	1,410	1,355	1,310	1,245	1,170	1,080	-
			Watts	450	445	430	420	405	390	370	-
	Med	230	CFM	1,720	1,660	1,585	1,520	1,460	1,365	1,270	-
			Watts	560	555	540	530	520	490	470	-
	High	230	CFM	2,110	2,060	1,980	1,895	1,795	1,705	1,590	1,500
			Watts	785	780	765	745	720	705	665	625
WPH43 60AH	Low	230	CFM	1,775	1,635	1,645	1,515	1,510	1,450	1,430	1,400
			Watts	395	420	435	445	455	465	470	475
	Med	230	CFM	1,845	1,790	1,715	1,685	1,590	1,580	1,530	1,500
			Watts	490	505	520	535	550	560	570	575
	High	230	CFM	2,025	1,900	1,840	1,780	1,725	1,650	1,620	1,580
			Watts	575	595	620	630	645	655	660	670

Notes:

1. Data shown is dry coil; wet coil pressure drop is approximate.
2. 0.1" H₂O, for 2-row indoor coil; 0.2" H₂O, for 3-row indoor coil; and 0.3" H₂O, for 4-row indoor coil
3. Data shown does not include filter pressure drop, approx. 0.08" H₂O.
4. ALL MODELS SHOULD RUN NO LESS THAN 350 CFM / TON, USE HIGHER SPEED TAP OR NEXT SIZE LARGER BLOWER ASM. See Repair Parts list.
5. Reduce airflow by 2% for 208V operation.

AIRFLOW DATA (CONT.)



PRODUCT SPECIFICATIONS

EXPANDED COOLING DATA — WPH4324AH

IDB	Airflow	Outdoor Ambient Temperature																								
		65°F				75°F				85°F				95°F				105°F				115°F				
		59	63	67	71	59	63	67	71	59	63	67	71	59	63	67	71	59	63	67	71	59	63	67	71	
70	MBh	23.5	24.4	26.7	-	23.0	23.8	26.1	-	22.4	23.2	25.5	-	21.9	22.7	24.8	-	20.8	21.5	23.6	-	19.3	20.0	21.9	-	
	S/T	0.80	0.67	0.46	-	0.83	0.69	0.48	-	0.85	0.71	0.49	-	0.88	0.73	0.51	-	0.91	0.76	0.53	-	0.92	0.77	0.53	-	
	ΔT	18	15	12	-	18	15	12	-	18	16	12	-	18	16	12	-	18	15	12	-	17	14	11	-	
	kW	1.71	1.74	1.80	-	1.83	1.87	1.93	-	1.95	1.99	2.05	-	2.05	2.09	2.16	-	2.13	2.18	2.25	-	2.20	2.25	2.32	-	
	Amps	7.2	7.4	7.6	-	7.7	7.9	8.1	-	8.3	8.5	8.8	-	8.8	9.0	9.3	-	9.3	9.5	9.8	-	9.8	10.0	10.3	-	
	Hi PR	242	260	275	-	271	292	308	-	308	332	350	-	351	378	399	-	395	425	449	-	436	470	496	-	
	Lo PR	112	119	130	-	118	126	137	-	123	131	143	-	129	137	150	-	135	144	157	-	140	149	163	-	
	MBh	22.8	23.7	25.9	-	22.3	23.1	25.3	-	21.8	22.6	24.7	-	21.2	22.0	24.1	-	20.2	20.9	22.9	-	18.7	19.4	21.2	-	
	S/T	0.76	0.64	0.44	-	0.79	0.66	0.46	-	0.81	0.68	0.47	-	0.84	0.70	0.49	-	0.87	0.73	0.50	-	0.88	0.73	0.51	-	
	ΔT	18	16	12	-	19	16	12	-	19	16	12	-	19	16	12	-	18	16	12	-	17	15	11	-	
kW	1.69	1.73	1.78	-	1.82	1.86	1.92	-	1.93	1.97	2.03	-	2.03	2.07	2.14	-	2.11	2.16	2.23	-	2.18	2.23	2.31	-		
Amps	7.2	7.3	7.5	-	7.7	7.8	8.1	-	8.3	8.4	8.7	-	8.8	8.9	9.2	-	9.3	9.5	9.7	-	9.7	10.0	10.3	-		
Hi PR	239	257	272	-	268	289	305	-	305	328	347	-	348	374	395	-	391	421	444	-	432	465	491	-		
Lo PR	111	118	129	-	117	125	136	-	122	130	141	-	128	136	149	-	134	143	156	-	139	148	161	-		
770	MBh	21.7	22.5	24.6	-	21.2	22.0	24.1	-	20.7	21.4	23.5	-	20.2	20.9	22.9	-	19.2	19.9	21.8	-	17.8	18.4	20.2	-	
	S/T	0.73	0.61	0.42	-	0.76	0.63	0.44	-	0.78	0.65	0.45	-	0.80	0.67	0.46	-	0.83	0.70	0.48	-	0.84	0.70	0.49	-	
	ΔT	19	16	12	-	19	17	13	-	19	17	13	-	19	17	13	-	19	17	13	-	18	15	12	-	
	kW	1.67	1.70	1.75	-	1.79	1.83	1.89	-	1.90	1.94	2.00	-	2.00	2.04	2.10	-	2.08	2.12	2.19	-	2.15	2.20	2.27	-	
	Amps	7.1	7.2	7.4	-	7.6	7.7	7.9	-	8.1	8.3	8.5	-	8.6	8.8	9.1	-	9.1	9.3	9.6	-	9.6	9.8	10.1	-	
	Hi PR	234	252	266	-	263	283	299	-	299	322	340	-	341	367	387	-	383	412	436	-	423	456	481	-	
	Lo PR	109	116	126	-	115	122	133	-	119	127	139	-	125	133	146	-	131	140	153	-	136	145	158	-	
	75	MBh	23.9	24.6	26.7	28.6	23.4	24.1	26.0	27.9	22.8	23.5	25.4	27.3	22.2	22.9	24.8	26.6	21.1	21.8	23.6	25.3	19.6	20.2	21.8	23.4
		S/T	0.91	0.81	0.62	0.40	0.94	0.84	0.64	0.41	0.97	0.87	0.66	0.42	1.00	0.89	0.68	0.44	1.00	0.93	0.70	0.45	1.00	0.94	0.71	0.46
		ΔT	20	19	15	11	21	19	16	11	21	19	16	11	21	19	16	11	20	19	16	11	18	18	14	10
kW		1.72	1.76	1.81	1.87	1.85	1.89	1.95	2.01	1.96	2.00	2.07	2.13	2.06	2.11	2.17	2.25	2.15	2.19	2.27	2.34	2.22	2.27	2.34	2.42	
Amps		7.3	7.5	7.7	7.9	7.8	8.0	8.2	8.5	8.4	8.6	8.8	9.1	8.9	9.1	9.4	9.7	9.4	9.6	9.9	10.2	9.9	10.1	10.4	10.8	
Hi PR		244	263	277	289	274	295	311	325	311	335	354	369	355	382	403	420	399	429	453	473	441	474	501	523	
Lo PR		113	120	131	140	120	127	139	148	124	132	144	154	131	139	152	161	137	146	159	169	142	151	164	175	
MBh		23.2	23.9	25.9	27.8	22.7	23.4	25.3	27.1	22.1	22.8	24.7	26.5	21.6	22.2	24.1	25.8	20.5	21.1	22.9	24.5	19.0	19.6	21.2	22.7	
S/T		0.87	0.78	0.59	0.38	0.90	0.81	0.61	0.39	0.92	0.83	0.63	0.40	0.95	0.85	0.65	0.42	0.99	0.88	0.67	0.43	1.00	0.89	0.68	0.43	
ΔT		21	20	16	11	21	20	16	11	21	20	16	11	22	20	16	11	21	20	16	11	20	18	15	10	
kW	1.71	1.74	1.80	1.85	1.83	1.87	1.93	1.99	1.95	1.99	2.05	2.12	2.05	2.09	2.16	2.23	2.13	2.18	2.25	2.32	2.20	2.25	2.32	2.40		
Amps	7.2	7.4	7.6	7.8	7.7	7.9	8.1	8.4	8.3	8.5	8.8	9.0	8.8	9.0	9.3	9.6	9.3	9.5	9.8	10.2	9.8	10.0	10.3	10.7		
Hi PR	242	260	275	286	271	292	308	321	308	332	350	365	351	378	399	416	395	425	449	468	437	470	496	517		
Lo PR	112	119	130	139	118	126	138	146	123	131	143	152	129	138	150	160	135	144	157	168	140	149	163	173		
MBh	22.1	22.7	24.6	26.4	21.5	22.2	24.0	25.8	21.0	21.7	23.4	25.2	20.5	21.1	22.9	24.5	19.5	20.1	21.7	23.3	18.1	18.6	20.1	21.6		
S/T	0.83	0.74	0.56	0.36	0.86	0.77	0.58	0.38	0.88	0.79	0.60	0.39	0.91	0.82	0.62	0.40	0.95	0.85	0.64	0.41	0.96	0.85	0.65	0.42		
ΔT	22	20	17	11	22	20	17	12	22	20	17	12	22	20	17	12	22	20	17	12	21	19	16	11		
kW	1.68	1.72	1.77	1.82	1.81	1.84	1.90	1.96	1.92	1.96	2.02	2.08	2.01	2.06	2.12	2.19	2.10	2.14	2.21	2.28	2.17	2.21	2.29	2.36		
Amps	7.1	7.3	7.5	7.7	7.6	7.8	8.0	8.3	8.2	8.4	8.6	8.9	8.7	8.9	9.1	9.4	9.2	9.4	9.7	10.0	9.7	9.9	10.2	10.5		
Hi PR	237	255	269	281	266	286	302	315	302	325	343	358	344	370	391	408	387	417	440	459	428	460	486	507		
Lo PR	110	117	128	136	116	123	135	144	121	128	140	149	127	135	147	157	133	141	154	164	137	146	159	170		

IDB: Entering Indoor Dry Bulb Temperature
 Design Subcooling, 12±3 °F @ the liquid access fitting connection AHRI 95 test conditions. Design Superheat 8±3 °F @ the compressor suction access fitting connection. kW = Total system power

Shaded area reflects ACCA (TVA) conditions

Amps: Unit amps (comp + evaporator + condenser fan motors)

PRODUCT SPECIFICATIONS

EXPANDED COOLING DATA — WPH4324AH (CONT.)

IDB	Airflow	Outdoor Ambient Temperature																								
		65°F				75°F				85°F				95°F				105°F				115°F				
		59	63	67	71	59	63	67	71	59	63	67	71	59	63	67	71	59	63	67	71	59	63	67	71	
80	980	MBh	24.3	24.9	26.6	28.4	23.8	24.3	26.0	27.7	23.2	23.7	25.3	27.1	22.6	23.1	24.7	26.4	21.5	22.0	23.5	25.1	19.9	20.4	21.8	23.3
		S/T	1.00	0.94	0.76	0.57	1.00	1.00	0.79	0.59	1.00	1.00	0.81	0.61	1.00	1.00	0.84	0.63	1.00	1.00	0.87	0.65	1.00	1.00	0.88	0.65
	ΔT	23	22	19	15	22	22	19	15	21	22	19	16	21	22	19	16	20	21	19	16	19	19	18	14	
	kW	1.73	1.77	1.82	1.88	1.86	1.90	1.96	2.03	1.98	2.02	2.08	2.15	2.08	2.12	2.19	2.26	2.17	2.21	2.28	2.36	2.24	2.29	2.36	2.44	
	Amps	7.4	7.5	7.7	8.0	7.9	8.0	8.3	8.5	8.5	8.6	8.9	9.2	9.0	9.2	9.4	9.8	9.5	9.7	10.0	10.3	10.0	10.2	10.5	10.9	
	Hi PR	246	265	280	292	277	298	314	328	315	339	357	373	358	386	407	425	403	434	458	478	445	479	506	528	
	Lo PR	114	122	133	141	121	129	140	149	126	134	146	155	132	140	153	163	138	147	161	171	143	152	166	177	
	MBh	23.6	24.1	25.8	27.6	23.1	23.6	25.2	26.9	22.5	23.0	24.6	26.3	22.0	22.5	24.0	25.7	20.9	21.3	22.8	24.4	19.3	19.8	21.1	22.6	
	S/T	0.95	0.89	0.73	0.54	0.99	0.93	0.75	0.56	1.00	0.95	0.77	0.58	1.00	0.98	0.80	0.60	1.00	1.00	0.83	0.62	1.00	1.00	0.84	0.62	
	ΔT	24	23	20	16	24	23	20	16	24	23	20	16	23	23	20	16	22	22	20	16	20	21	19	15	
kW	1.72	1.76	1.81	1.87	1.85	1.89	1.95	2.01	1.96	2.00	2.07	2.14	2.06	2.11	2.18	2.25	2.15	2.19	2.27	2.34	2.22	2.27	2.34	2.42		
Amps	7.3	7.5	7.7	7.9	7.8	8.0	8.2	8.5	8.4	8.6	8.8	9.1	8.9	9.1	9.4	9.7	9.4	9.6	9.9	10.2	9.9	10.1	10.4	10.8		
Hi PR	244	263	277	289	274	295	311	325	311	335	354	369	355	382	403	420	399	429	453	473	441	474	501	523		
Lo PR	113	120	131	140	120	127	139	148	124	132	144	154	131	139	152	162	137	146	159	169	142	151	164	175		
MBh	22.5	22.9	24.5	26.2	21.9	22.4	23.9	25.6	21.4	21.9	23.4	25.0	20.9	21.3	22.8	24.4	19.8	20.3	21.7	23.2	18.4	18.8	20.1	21.4		
S/T	0.91	0.86	0.70	0.52	0.95	0.89	0.72	0.54	0.97	0.91	0.74	0.55	1.00	0.94	0.76	0.57	1.04	0.97	0.79	0.59	1.05	0.98	0.80	0.60		
ΔT	24	23	20	16	25	24	21	16	25	24	21	17	25	24	21	17	25	24	21	16	23	22	19	15		
kW	1.69	1.73	1.78	1.84	1.82	1.86	1.92	1.98	1.93	1.97	2.03	2.10	2.03	2.07	2.14	2.21	2.11	2.16	2.23	2.30	2.18	2.23	2.31	2.38		
Amps	7.2	7.3	7.5	7.8	7.7	7.8	8.1	8.3	8.3	8.4	8.7	9.0	8.8	8.9	9.2	9.5	9.3	9.5	9.7	10.1	9.7	10.0	10.3	10.6		
Hi PR	239	257	272	283	268	289	305	318	305	328	347	362	348	374	395	412	391	421	444	464	432	465	491	512		
Lo PR	111	118	129	137	117	125	136	145	122	130	141	151	128	136	149	158	134	143	156	166	139	148	161	172		
85	980	MBh	24.8	25.2	26.4	28.2	24.2	24.7	25.8	27.6	23.6	24.1	25.2	26.9	23.0	23.5	24.6	26.2	21.9	22.3	23.4	24.9	20.3	20.7	21.6	23.1
		S/T	1.00	1.00	0.91	0.74	1.00	1.00	0.95	0.77	1.00	1.00	0.97	0.79	1.00	1.00	1.00	0.81	1.00	1.00	1.00	0.84	1.00	1.00	1.00	0.85
	ΔT	23	24	23	20	23	23	23	20	22	23	23	20	22	22	23	20	21	21	22	20	19	19	20	18	
	kW	1.75	1.78	1.84	1.90	1.88	1.92	1.98	2.04	1.99	2.04	2.10	2.17	2.10	2.14	2.21	2.28	2.18	2.23	2.30	2.38	2.26	2.31	2.38	2.46	
	Amps	7.4	7.6	7.8	8.0	7.9	8.1	8.3	8.6	8.5	8.7	9.0	9.3	9.0	9.2	9.5	9.8	9.6	9.8	10.1	10.4	10.1	10.3	10.6	11.0	
	Hi PR	249	268	283	295	279	301	317	331	318	342	361	377	362	389	411	429	407	438	463	482	450	484	511	533	
	Lo PR	115	123	134	143	122	130	142	151	127	135	147	157	133	142	155	165	140	149	162	173	144	154	168	179	
	MBh	24.0	24.5	25.7	27.4	23.5	23.9	25.1	26.8	22.9	23.4	24.5	26.1	22.4	22.8	23.9	25.5	21.2	21.7	22.7	24.2	19.7	20.1	21.0	22.4	
	S/T	1.00	0.96	0.87	0.71	1.00	1.00	0.90	0.73	1.00	1.00	0.92	0.75	1.00	1.00	0.95	0.77	1.00	1.00	0.99	0.80	1.00	1.00	1.00	0.81	
	ΔT	25	25	23	20	25	25	24	21	24	25	24	21	24	24	24	21	22	23	24	20	21	21	22	19	
kW	1.73	1.77	1.82	1.88	1.86	1.90	1.96	2.03	1.98	2.02	2.08	2.15	2.08	2.12	2.19	2.26	2.17	2.21	2.28	2.36	2.24	2.29	2.36	2.44		
Amps	7.4	7.5	7.7	8.0	7.9	8.0	8.3	8.5	8.5	8.6	8.9	9.2	9.0	9.2	9.4	9.8	9.5	9.7	10.0	10.3	10.0	10.2	10.5	10.9		
Hi PR	246	265	280	292	277	298	314	328	315	339	357	373	358	386	407	425	403	434	458	478	445	479	506	528		
Lo PR	114	122	133	141	121	129	140	149	126	134	146	155	132	140	153	163	138	147	161	171	143	152	166	177		
MBh	22.8	23.3	24.4	26.0	22.3	22.7	23.8	25.4	21.8	22.2	23.3	24.8	21.2	21.7	22.7	24.2	20.2	20.6	21.6	23.0	18.7	19.1	20.0	21.3		
S/T	0.96	0.92	0.83	0.68	0.99	0.96	0.86	0.70	1.00	0.98	0.89	0.72	1.00	1.00	0.91	0.74	1.00	1.00	0.95	0.77	1.00	1.00	0.96	0.78		
ΔT	26	26	24	21	26	26	25	21	26	26	25	21	25	26	25	21	24	25	24	21	22	23	23	20		
kW	1.71	1.74	1.80	1.85	1.83	1.87	1.93	1.99	1.95	1.99	2.05	2.12	2.05	2.09	2.16	2.23	2.13	2.18	2.25	2.32	2.20	2.25	2.32	2.40		
Amps	7.2	7.4	7.6	7.8	7.7	7.9	8.1	8.4	8.3	8.5	8.8	9.0	8.8	9.0	9.3	9.6	9.3	9.5	9.8	10.2	9.8	10.0	10.3	10.7		
Hi PR	242	260	275	286	271	292	308	321	308	332	350	365	351	378	399	416	395	425	449	468	436	470	496	517		
Lo PR	112	119	130	139	118	126	137	146	123	131	143	152	129	137	150	160	135	144	157	168	140	149	163	173		

IDB: Entering Indoor Dry Bulb Temperature
 Design Subcooling, 12±3 °F @ the liquid access fitting connection AHRI 95 test conditions. Design Superheat 8±3 °F @ the compressor suction access fitting connection. kW = Total system power

Shaded area reflects AHRI (TVA) conditions.
 Amps: Unit amps (comp. + evaporator + condenser fan motors)

PRODUCT SPECIFICATIONS

EXPANDED COOLING DATA — WPH4330AH

IDB	Airflow	Outdoor Ambient Temperature																							
		65°F				75°F				85°F				95°F				105°F				115°F			
		59	63	67	71	59	63	67	71	59	63	67	71	59	63	67	71	59	63	67	71	59	63	67	71
70	MBh	27.6	28.6	31.4	-	27.0	28.0	30.7	-	26.3	27.3	29.9	-	25.7	26.6	29.2	-	24.4	25.3	27.7	-	22.6	23.4	25.7	-
	S/T	0.80	0.67	0.46	-	0.83	0.69	0.48	-	0.85	0.71	0.49	-	0.87	0.73	0.51	-	0.91	0.76	0.52	-	0.91	0.76	0.53	-
	ΔT	17	15	11	-	17	15	11	-	17	15	11	-	18	15	11	-	17	15	11	-	16	14	11	-
	kW	2.03	2.07	2.13	-	2.18	2.22	2.29	-	2.31	2.36	2.43	-	2.43	2.48	2.56	-	2.53	2.58	2.66	-	2.61	2.67	2.75	-
	Amps	8.7	8.8	9.1	-	9.3	9.4	9.7	-	9.9	10.1	10.4	-	10.5	10.8	11.1	-	11.1	11.4	11.7	-	11.7	12.0	12.3	-
	Hi PR	247	265	280	-	277	298	314	-	315	339	358	-	358	386	407	-	403	434	458	-	446	479	506	-
	Lo PR	112	119	130	-	118	126	137	-	123	131	143	-	129	137	150	-	135	144	157	-	140	149	162	-
	MBh	26.8	27.8	30.5	-	26.2	27.2	29.8	-	25.6	26.5	29.0	-	25.0	25.9	28.3	-	23.7	24.6	26.9	-	22.0	22.8	24.9	-
	S/T	0.76	0.63	0.44	-	0.79	0.66	0.46	-	0.81	0.67	0.47	-	0.83	0.70	0.48	-	0.87	0.72	0.50	-	0.87	0.73	0.50	-
	ΔT	18	15	12	-	18	16	12	-	18	16	12	-	18	16	12	-	18	16	12	-	17	15	11	-
kW	2.01	2.05	2.12	-	2.16	2.21	2.27	-	2.29	2.34	2.41	-	2.41	2.46	2.54	-	2.51	2.56	2.64	-	2.59	2.65	2.73	-	
Amps	8.6	8.8	9.0	-	9.2	9.4	9.6	-	9.9	10.1	10.4	-	10.4	10.7	11.0	-	11.0	11.3	11.6	-	11.6	11.9	12.2	-	
Hi PR	244	263	277	-	274	295	311	-	312	335	354	-	355	382	403	-	399	430	454	-	441	475	501	-	
Lo PR	111	118	129	-	117	124	136	-	121	129	141	-	128	136	148	-	134	142	155	-	138	147	161	-	
MBh	24.8	25.7	28.1	-	24.2	25.1	27.5	-	23.6	24.5	26.8	-	23.0	23.9	26.2	-	21.9	22.7	24.9	-	20.3	21.0	23.0	-	
S/T	0.73	0.61	0.42	-	0.76	0.63	0.44	-	0.78	0.65	0.45	-	0.80	0.67	0.47	-	0.83	0.70	0.48	-	0.84	0.70	0.49	-	
ΔT	18	16	12	-	18	16	12	-	18	16	12	-	18	16	12	-	18	16	12	-	17	15	11	-	
kW	1.97	2.01	2.07	-	2.11	2.15	2.22	-	2.24	2.28	2.36	-	2.35	2.40	2.48	-	2.45	2.50	2.58	-	2.53	2.58	2.66	-	
Amps	8.4	8.6	8.8	-	9.0	9.1	9.4	-	9.6	9.8	10.1	-	10.2	10.4	10.7	-	10.8	11.0	11.3	-	11.3	11.6	11.9	-	
Hi PR	237	255	269	-	266	286	302	-	302	325	343	-	344	370	391	-	387	417	440	-	428	460	486	-	
Lo PR	107	114	125	-	113	121	132	-	118	125	137	-	124	132	144	-	130	138	151	-	134	143	156	-	

75	MBh	28.1	28.9	31.3	33.6	27.4	28.3	30.6	32.8	26.8	27.6	29.9	32.0	26.1	26.9	29.1	31.3	24.8	25.6	27.7	29.7	23.0	23.7	25.6	27.5
	S/T	0.91	0.81	0.61	0.39	0.94	0.84	0.64	0.41	0.96	0.86	0.65	0.42	0.99	0.89	0.67	0.43	1.00	0.92	0.70	0.45	1.00	0.93	0.70	0.45
	ΔT	20	18	15	10	20	18	15	10	20	19	15	10	20	19	15	10	19	18	15	10	18	17	14	10
	kW	2.04	2.09	2.15	2.22	2.20	2.24	2.31	2.38	2.33	2.38	2.45	2.53	2.45	2.50	2.58	2.66	2.55	2.60	2.69	2.77	2.63	2.69	2.78	2.87
	Amps	8.7	8.9	9.1	9.4	9.3	9.5	9.8	10.1	10.0	10.2	10.5	10.9	10.6	10.8	11.2	11.5	11.2	11.5	11.8	12.2	11.8	12.1	12.4	12.9
	Hi PR	249	268	283	295	280	301	318	331	318	342	361	377	362	390	411	429	407	438	463	483	450	484	511	533
	Lo PR	113	120	131	140	119	127	139	148	124	132	144	153	130	139	151	161	136	145	158	169	141	150	164	175
	MBh	27.3	28.1	30.4	32.6	26.6	27.4	29.7	31.9	26.0	26.8	29.0	31.1	25.4	26.1	28.3	30.4	24.1	24.8	26.9	28.8	22.3	23.0	24.9	26.7
	S/T	0.86	0.77	0.58	0.38	0.90	0.80	0.61	0.39	0.92	0.82	0.62	0.40	0.95	0.85	0.64	0.41	0.98	0.88	0.67	0.43	0.99	0.89	0.67	0.43
	ΔT	21	19	16	11	21	19	16	11	21	19	16	11	21	19	16	11	21	19	16	11	21	19	15	10
kW	2.03	2.07	2.13	2.20	2.18	2.22	2.29	2.36	2.31	2.36	2.43	2.51	2.43	2.48	2.56	2.64	2.53	2.58	2.66	2.75	2.61	2.67	2.76	2.85	
Amps	8.7	8.8	9.1	9.4	9.3	9.4	9.7	10.0	9.9	10.1	10.4	10.8	10.5	10.7	11.1	11.4	11.1	11.4	11.7	12.1	11.7	12.0	12.3	12.7	
Hi PR	247	265	280	292	277	298	315	328	315	339	358	373	358	385.79	407	425	403	434	458	478	446	480	506	528	
Lo PR	112	119	130	138	118	126	137	146	123	131	143	152	129	137.16	150	159	135	144	157	167	140	149	162	173	
MBh	25.2	25.9	28.1	30.1	24.6	25.3	27.4	29.4	24.0	24.7	26.8	28.7	23.4	24.1	26.1	28.0	22.3	22.9	24.8	26.6	20.6	21.2	23.0	24.7	
S/T	0.83	0.74	0.56	0.36	0.86	0.77	0.58	0.38	0.89	0.79	0.60	0.39	0.91	0.82	0.62	0.40	0.95	0.85	0.64	0.41	0.96	0.86	0.65	0.42	
ΔT	21	19	16	11	21	20	16	11	21	20	16	11	21	20	16	11	21	19	16	11	20	18	15	10	
kW	1.98	2.02	2.08	2.15	2.13	2.17	2.24	2.31	2.26	2.30	2.37	2.45	2.37	2.42	2.50	2.58	2.47	2.52	2.60	2.68	2.55	2.60	2.69	2.78	
Amps	8.5	8.6	8.9	9.1	9.0	9.2	9.5	9.8	9.7	9.9	10.2	10.5	10.3	10.5	10.8	11.2	10.9	11.1	11.4	11.8	11.4	11.7	12.0	12.4	
Hi PR	239	257	272	284	268	289	305	318	305	329	347	362	348	374	395	412	391	421	445	464	432	465	491	512	
Lo PR	108	115	126	134	115	122	133	142	119	127	138	147	125	133	145	155	131	139	152	162	136	144	157	168	

IDB: Entering Indoor Dry Bulb Temperature
 Design Subcooling, 12±3 °F @ the liquid access fitting connection
 Shaded area reflects ACCA (TVA) conditions
 Amps: Unit amps (comp + evaporator + condenser fan motors)
 kW = Total system power
 @ the compressor suction access fitting connection.

EXPANDED COOLING DATA — WPH4330AH (CONT.)

IDB	Airflow	Outdoor Ambient Temperature																								
		65°F				75°F				85°F				95°F				105°F				115°F				
		59	63	67	71	59	63	67	71	59	63	67	71	59	63	67	71	59	63	67	71	59	63	67	71	
80	1180	MBh	28.6	29.2	31.2	33.4	27.9	28.5	30.5	32.6	27.3	27.9	29.8	31.8	26.6	27.2	29.0	31.1	25.3	25.8	27.6	29.5	23.4	23.9	25.6	27.3
		S/T	1.00	0.93	0.76	0.57	1.00	0.97	0.79	0.59	1.00	1.00	0.81	0.60	1.00	1.00	0.83	0.62	1.00	1.00	0.86	0.65	1.00	1.00	0.87	0.65
	ΔT	22	21	18	15	22	21	19	15	21	22	19	15	21	21	19	15	20	20	19	15	18	19	17	14	
	KW	2.06	2.10	2.17	2.23	2.21	2.26	2.33	2.40	2.35	2.40	2.47	2.55	2.47	2.52	2.60	2.68	2.57	2.62	2.71	2.80	2.66	2.71	2.80	2.89	
	Amps	8.8	9.0	9.2	9.5	9.4	9.6	9.9	10.2	10.1	10.3	10.6	11.0	10.7	10.9	11.3	11.6	11.3	11.6	11.9	12.3	11.9	12.2	12.5	13.0	
	Hi PR	252	271	286	298	282	304	321	335	321	346	365	381	366	394	416	433	411	443	468	488	455	489	517	539	
	Lo PR	114	121	132	141	120	128	140	149	125	133	145	155	132	140	153	163	138	147	160	171	143	152	166	176	
	MBh	27.8	28.4	30.3	32.4	27.1	27.7	29.6	31.7	26.5	27.1	28.9	30.9	25.8	26.4	28.2	30.1	24.5	25.1	26.8	28.6	22.7	23.2	24.8	26.5	
	S/T	0.95	0.89	0.72	0.54	0.98	0.92	0.75	0.56	1.00	0.94	0.77	0.57	1.00	0.97	0.79	0.59	1.00	1.00	0.82	0.62	1.00	1.00	0.83	0.62	
	ΔT	23	22	19	15	23	22	19	16	23	22	19	16	23	23	20	16	21	22	19	15	20	20	18	14	
85	1050	KW	2.04	2.09	2.15	2.22	2.20	2.24	2.31	2.38	2.33	2.38	2.45	2.53	2.45	2.50	2.58	2.66	2.55	2.60	2.69	2.77	2.63	2.69	2.78	2.87
		Amps	8.7	8.9	9.2	9.4	9.3	9.5	9.8	10.1	10.0	10.2	10.5	10.9	10.6	10.8	11.2	11.5	11.2	11.5	11.8	12.2	11.8	12.1	12.4	12.9
	Hi PR	249	268	283	295	280	301	318	331	318	342	361	377	362	390	412	429	407	438	463	483	450	484	511	533	
	Lo PR	113	120	131	140	119	127	139	148	124	132	144	153	130	139	151	161	136	145	159	169	141	150	164	175	
	MBh	25.6	26.2	28.0	29.9	25.0	25.6	27.3	29.2	24.4	25.0	26.7	28.5	23.8	24.4	26.0	27.8	22.7	23.1	24.7	26.4	21.0	21.4	22.9	24.5	
	S/T	0.91	0.86	0.70	0.52	0.95	0.89	0.72	0.54	0.97	0.91	0.74	0.55	1.00	0.94	0.76	0.57	1.04	0.98	0.79	0.59	1.05	0.98	0.80	0.60	
	ΔT	23	22	19	16	24	23	20	16	24	23	20	16	24	23	20	16	24	23	20	16	22	21	18	15	
	KW	2.00	2.04	2.10	2.16	2.14	2.19	2.26	2.33	2.27	2.32	2.39	2.47	2.39	2.44	2.52	2.60	2.49	2.54	2.62	2.71	2.57	2.62	2.71	2.80	
	Amps	8.5	8.7	8.9	9.2	9.1	9.3	9.6	9.9	9.8	10.0	10.3	10.6	10.4	10.6	10.9	11.3	10.9	11.2	11.5	11.9	11.5	11.8	12.1	12.5	
	Hi PR	242	260	275	286	271	292	308	321	308	332	350	366	351	378	399	416	395	425	449	468	437	470	496	517	
Lo PR	110	117	127	135	116	123	134	143	120	128	140	149	126	134	147	156	132	141	154	164	137	146	159	169		
85	1180	MBh	29.1	29.7	31.1	33.1	28.4	29.0	30.3	32.4	27.7	28.3	29.6	31.6	27.1	27.6	28.9	30.8	25.7	26.2	27.5	29.3	23.8	24.3	25.4	27.1
		S/T	1.00	1.00	0.91	0.74	1.00	1.00	0.94	0.76	1.00	1.00	0.96	0.78	1.00	1.00	0.99	0.81	1.00	1.00	1.00	0.84	1.00	1.00	1.00	0.84
	ΔT	23	23	22	19	22	23	22	19	22	22	22	19	21	21	22	19	20	20	21	19	19	19	20	18	
	KW	2.08	2.12	2.18	2.25	2.23	2.28	2.35	2.42	2.37	2.42	2.49	2.57	2.49	2.54	2.62	2.71	2.59	2.64	2.73	2.82	2.68	2.74	2.82	2.92	
	Amps	8.9	9.0	9.3	9.6	9.5	9.7	9.9	10.3	10.2	10.4	10.7	11.1	10.8	11.0	11.3	11.7	11.4	11.7	12.0	12.4	12.0	12.3	12.6	13.1	
	Hi PR	254	273	289	301	285	307	324	338	324	349	369	384	369	398	420	438	416	447	472	493	459	494	522	544	
	Lo PR	115	123	134	142	122	129	141	151	126	135	147	156	133	141	154	164	139	148	162	172	144	153	167	178	
	MBh	28.3	28.8	30.2	32.2	27.6	28.1	29.5	31.4	26.9	27.5	28.8	30.7	26.3	26.8	28.1	29.9	25.0	25.5	26.7	28.4	23.1	23.6	24.7	26.3	
	S/T	0.99	0.96	0.86	0.70	1.00	0.99	0.90	0.73	1.00	1.00	0.92	0.75	1.00	1.00	0.95	0.77	1.00	1.00	0.98	0.80	1.00	1.00	0.99	0.81	
	ΔT	25	24	23	20	24	24	23	20	24	24	23	20	23	23	23	20	22	22	23	20	20	21	21	19	
KW	2.06	2.10	2.17	2.23	2.21	2.26	2.33	2.40	2.35	2.40	2.47	2.55	2.47	2.52	2.60	2.68	2.57	2.62	2.71	2.80	2.66	2.71	2.80	2.89		
Amps	8.8	9.0	9.2	9.5	9.4	9.6	9.9	10.2	10.1	10.3	10.6	11.0	10.7	10.9	11.3	11.6	11.3	11.6	11.9	12.3	11.9	12.2	12.5	13.0		
Hi PR	252	271	286	298	282	304	321	335	321	346	365	381	366	394	416	433	411	443	468	488	455	489	517	539		
Lo PR	114	121	132	141	120	128	140	149	125	133	145	155	132	140	153	163	138	147	160	171	143	152	166	176		
MBh	26.1	26.6	27.8	29.7	25.5	26.0	27.2	29.0	24.9	25.3	26.5	28.3	24.3	24.7	25.9	27.6	23.0	23.5	24.6	26.2	21.3	21.8	22.8	24.3		
S/T	0.96	0.92	0.83	0.68	0.99	0.96	0.86	0.70	1.00	0.98	0.89	0.72	1.00	1.00	0.91	0.74	1.00	1.00	0.95	0.77	1.00	1.00	0.96	0.78		
ΔT	25	25	23	20	25	25	23	20	25	25	24	20	24	25	24	20	23	23	23	20	21	22	22	19		
KW	2.01	2.05	2.12	2.18	2.16	2.21	2.27	2.35	2.29	2.34	2.41	2.49	2.41	2.46	2.54	2.62	2.51	2.56	2.64	2.73	2.59	2.65	2.73	2.82		
Amps	8.6	8.8	9.0	9.3	9.2	9.4	9.6	9.9	9.9	10.1	10.4	10.7	10.4	10.7	11.0	11.3	11.0	11.3	11.6	12.0	11.6	11.9	12.2	12.6		
Hi PR	244	263	277	289	274	295	311	325	311	335	354	369	355	382	403	420	399	430	454	473	441	475	501	523		
Lo PR	111	118	128	137	117	124	136	145	121	129	141	150	128	136	148	158	134	142	155	165	138	147	161	171		

IDB: Entering Indoor Dry Bulb Temperature
 Design Subcooling, 12±3 °F @ the liquid access fitting connection AHR1 95 test conditions. Design Superheat 8±3 °F @ the compressor suction access fitting connection.
 Shaded area reflects AHR1 (TVA) conditions.
 Amps: Unit amps (comp. + evaporator + condenser fan motors)
 kW = Total system power

PRODUCT SPECIFICATIONS

EXPANDED COOLING DATA — WPH4336AH

IDB	Airflow	Outdoor Ambient Temperature																								
		65°F				75°F				85°F				95°F				105°F				115°F				
		59	63	67	71	59	63	67	71	59	63	67	71	59	63	67	71	59	63	67	71	59	63	67	71	
70	MBh	34.3	35.5	38.9	-	33.5	34.7	38.0	-	32.7	33.9	37.1	-	31.9	33.1	36.2	-	30.3	31.4	34.4	-	28.1	29.1	31.9	-	
	S/T	0.76	0.63	0.44	-	0.79	0.66	0.45	-	0.81	0.67	0.47	-	0.83	0.69	0.48	-	0.86	0.72	0.50	-	0.87	0.73	0.50	-	
	ΔT	18	15	12	-	18	16	12	-	18	16	12	-	18	16	12	-	18	15	12	-	17	14	11	-	
	1350	kW	2.61	2.66	2.74	-	2.80	2.85	2.94	-	2.96	3.02	3.12	-	3.11	3.18	3.27	-	3.23	3.30	3.41	-	3.34	3.41	3.52	-
	Amps	11.1	11.3	11.6	-	11.8	12.1	12.4	-	12.7	13.0	13.3	-	13.4	13.7	14.1	-	14.2	14.5	14.9	-	14.9	15.2	15.7	-	
	Hi PR	247	266	281	-	277	298	315	-	315	339	358	-	359	387	408	-	404	435	459	-	446	480	507	-	
	Lo PR	110	117	128	-	116	124	135	-	121	129	140	-	127	135	148	-	133	142	155	-	138	146	160	-	
	MBh	33.3	34.5	37.8	-	32.5	33.7	36.9	-	31.7	32.9	36.1	-	31.0	32.1	35.2	-	29.4	30.5	33.4	-	27.3	28.3	31.0	-	
	S/T	0.72	0.60	0.42	-	0.75	0.63	0.43	-	0.77	0.64	0.44	-	0.79	0.66	0.46	-	0.82	0.69	0.48	-	0.83	0.69	0.48	-	
	ΔT	18	16	12	-	19	16	12	-	19	16	12	-	19	16	12	-	19	16	12	-	17	15	11	-	
75	1200	kW	2.59	2.64	2.72	-	2.78	2.83	2.92	-	2.94	3.00	3.09	-	3.09	3.15	3.25	-	3.21	3.28	3.38	-	3.32	3.39	3.49	-
	Amps	11.0	11.2	11.5	-	11.8	12.0	12.3	-	12.6	12.9	13.2	-	13.3	13.6	14.0	-	14.1	14.4	14.8	-	14.8	15.1	15.6	-	
	Hi PR	245	263	278	-	275	295	312	-	312	336	355	-	356	383	404	-	400	431	455	-	442	476	502	-	
	Lo PR	109	116	127	-	115	123	134	-	120	127	139	-	126	134	146	-	132	140	153	-	136	145	158	-	
	MBh	30.7	31.9	34.9	-	30.0	31.1	34.1	-	29.3	30.4	33.3	-	28.6	29.6	32.5	-	27.2	28.2	30.8	-	25.2	26.1	28.6	-	
	S/T	0.70	0.58	0.40	-	0.72	0.60	0.42	-	0.74	0.62	0.43	-	0.76	0.64	0.44	-	0.79	0.66	0.46	-	0.80	0.67	0.46	-	
	ΔT	19	16	12	-	19	16	12	-	19	16	12	-	19	17	13	-	19	16	12	-	18	15	12	-	
	1050	kW	2.53	2.58	2.66	-	2.71	2.77	2.85	-	2.87	2.93	3.02	-	3.01	3.08	3.17	-	3.13	3.20	3.30	-	3.24	3.30	3.41	-
	Amps	10.8	11.0	11.3	-	11.5	11.7	12.0	-	12.3	12.6	12.9	-	13.0	13.3	13.7	-	13.7	14.0	14.4	-	14.4	14.8	15.2	-	
	Hi PR	237	255	270	-	266	287	303	-	303	326	344	-	345	371	392	-	388	418	441	-	429	461	487	-	
Lo PR	106	113	123	-	112	119	130	-	116	124	135	-	122	130	142	-	128	136	148	-	132	141	154	-		
75	1350	MBh	34.9	35.9	38.9	41.7	34.1	35.1	38.0	40.7	33.3	34.2	37.1	39.8	32.4	33.4	36.2	38.8	30.8	31.7	34.4	36.9	28.6	29.4	31.8	34.2
	S/T	0.86	0.77	0.58	0.38	0.89	0.80	0.60	0.39	0.92	0.82	0.62	0.40	0.94	0.85	0.64	0.41	0.98	0.88	0.66	0.43	0.99	0.88	0.67	0.43	
	ΔT	20	19	15	11	21	19	16	11	21	19	16	11	21	19	16	11	21	19	16	11	19	18	15	10	
	kW	2.63	2.68	2.76	2.84	2.82	2.88	2.96	3.06	2.99	3.05	3.14	3.24	3.13	3.20	3.30	3.41	3.26	3.33	3.44	3.55	3.37	3.44	3.55	3.67	
	Amps	11.2	11.4	11.7	12.1	11.9	12.2	12.5	12.9	12.8	13.1	13.4	13.9	13.6	13.8	14.2	14.7	14.3	14.6	15.0	15.5	15.0	15.4	15.8	16.4	
	Hi PR	250	269	284	296	280	301	318	332	319	343	362	378	363	391	412	430	408	439	464	484	451	485	513	535	
	Lo PR	111	118	129	138	118	125	137	145	122	130	142	151	128	137	149	159	134	143	156	166	139	148	162	172	
	MBh	33.9	34.9	37.7	40.5	33.1	34.1	36.9	39.6	32.3	33.2	36.0	38.6	31.5	32.4	35.1	37.7	29.9	30.8	33.3	35.8	27.7	28.5	30.9	33.2	
	S/T	0.82	0.73	0.56	0.36	0.85	0.76	0.58	0.37	0.87	0.78	0.59	0.38	0.90	0.81	0.61	0.39	0.94	0.84	0.63	0.41	0.94	0.84	0.64	0.41	
	ΔT	21	20	16	11	22	20	16	11	22	20	16	11	22	20	16	11	21	20	16	11	20	18	15	10	
75	1200	kW	2.61	2.66	2.74	2.82	2.80	2.85	2.94	3.03	2.96	3.02	3.12	3.22	3.11	3.18	3.27	3.38	3.23	3.30	3.41	3.52	3.34	3.41	3.52	3.64
	Amps	11.1	11.3	11.6	12.0	11.8	12.1	12.4	12.8	12.7	13.0	13.3	13.8	13.4	13.7	14.1	14.6	14.2	14.5	14.9	15.4	14.9	15.2	15.7	16.2	
	Hi PR	247	266	281	293	277	298	315	329	315	339	358	374	359	387	408	426	404	435	459	479	447	481	507	529	
	Lo PR	110	117	128	136	116	124	135	144	121	129	140	150	127	135	148	157	133	142	155	165	138	147	160	170	
	MBh	31.3	32.2	34.8	37.4	30.5	31.4	34.0	36.5	29.8	30.7	33.2	35.6	29.1	29.9	32.4	34.8	27.6	28.4	30.8	33.0	25.6	26.3	28.5	30.6	
	S/T	0.79	0.71	0.54	0.34	0.82	0.73	0.56	0.36	0.84	0.75	0.57	0.37	0.87	0.78	0.59	0.38	0.90	0.81	0.61	0.39	0.91	0.81	0.62	0.40	
	ΔT	22	20	16	11	22	20	17	11	22	20	17	11	22	20	17	12	22	20	16	11	20	19	15	11	
	1050	kW	2.55	2.60	2.68	2.76	2.73	2.79	2.87	2.96	2.89	2.95	3.04	3.14	3.04	3.10	3.20	3.30	3.16	3.22	3.33	3.43	3.26	3.33	3.44	3.55
	Amps	10.9	11.1	11.4	11.7	11.6	11.8	12.1	12.5	12.4	12.7	13.0	13.4	13.1	13.4	13.8	14.2	13.9	14.1	14.6	15.0	14.6	14.9	15.3	15.8	
	Hi PR	240	258	272	284	269	290	306	319	306	329	348	363	349	375	396	413	392	422	446	465	433	466	492	513	
Lo PR	107	114	124	132	113	120	131	140	117	125	136	145	123	131	143	152	129	137	150	160	134	142	155	165		

IDB: Entering Indoor Dry Bulb Temperature
 Design Subcooling, 12±3 °F @ the liquid access fitting connection AHR1 95 test conditions. Design Superheat 8±3 °F @ the compressor suction access fitting connection.
 Shaded area reflects ACCA (TVA) conditions
 Amps: Unit amps (comp. + evaporator + condenser fan motors)
 kW = Total system power

EXPANDED COOLING DATA — WPH4336AH (CONT.)

IDB	Airflow	Outdoor Ambient Temperature																							
		65°F				75°F				85°F				95°F				105°F				115°F			
		59	63	67	71	59	63	67	71	59	63	67	71	59	63	67	71	59	63	67	71	59	63	67	71
		Entering Indoor Wet Bulb Temperature																							
		59	63	67	71	59	63	67	71	59	63	67	71	59	63	67	71	59	63	67	71	59	63	67	71
80	MBh	35.5	36.3	38.8	41.4	34.7	35.4	37.9	40.5	33.8	34.6	37.0	39.5	33.0	33.7	36.1	38.5	31.4	32.1	34.2	36.6	29.1	29.7	31.7	33.9
	S/T	0.94	0.89	0.72	0.54	1.00	0.92	0.75	0.56	1.00	0.94	0.77	0.57	1.00	1.00	0.79	0.59	1.00	1.00	0.82	0.61	1.00	1.00	0.83	0.62
	ΔT	23	22	19	15	24	22	19	15	22	22	19	15	22	23	19	16	21	22	19	15	20	20	18	14
	kW	2.65	2.70	2.78	2.87	2.84	2.90	2.99	3.08	3.01	3.07	3.17	3.27	3.16	3.23	3.33	3.43	3.29	3.36	3.46	3.57	3.40	3.47	3.58	3.70
	Amps	11.3	11.5	11.8	12.2	12.0	12.3	12.6	13.0	12.9	13.2	13.5	14.0	13.7	14.0	14.4	14.8	14.4	14.7	15.2	15.7	15.2	15.5	16.0	16.5
	Hi PR	252	271	287	299	283	305	322	335	322	346	366	381	367	394	417	434	412	444	469	489	456	490	518	540
	Lo PR	112	120	131	139	119	126	138	147	123	131	143	153	130	138	151	160	136	145	158	168	141	149	163	174
	MBh	34.5	35.2	37.6	40.2	33.7	34.4	36.8	39.3	32.9	33.6	35.9	38.4	32.1	32.8	35.0	37.4	30.5	31.1	33.3	35.5	28.2	28.8	30.8	32.9
	S/T	0.90	0.84	0.69	0.51	0.93	0.88	0.71	0.53	0.96	0.90	0.73	0.55	0.99	0.93	0.75	0.56	1.00	0.96	0.78	0.59	1.00	0.97	0.79	0.59
	ΔT	24	23	20	16	24	23	20	16	24	23	20	16	24	23	20	16	23	23	20	16	22	21	19	15
1200	kW	2.63	2.68	2.76	2.84	2.82	2.88	2.96	3.06	2.99	3.05	3.14	3.24	3.13	3.20	3.30	3.41	3.26	3.33	3.44	3.55	3.37	3.44	3.55	3.67
	Amps	11.2	11.4	11.7	12.1	11.9	12.2	12.5	12.9	12.8	13.1	13.4	13.9	13.6	13.8	14.2	14.7	14.3	14.6	15.0	15.5	15.0	15.4	15.8	16.4
	Hi PR	250	269	284	296	280	301	318	332	319	343	362	378	363	391	412	430	408	439	464	484	451	485	513	535
	Lo PR	111	118	129	138	118	125	137	145	122	130	142	151	128	137	149	159	134	143	156	166	139	148	162	172
	MBh	31.8	32.5	34.7	37.1	31.1	31.7	33.9	36.3	30.3	31.0	33.1	35.4	29.6	30.2	32.3	34.5	28.1	28.7	30.7	32.8	26.0	26.6	28.4	30.4
	S/T	0.87	0.81	0.66	0.50	0.90	0.84	0.69	0.51	0.92	0.87	0.70	0.53	0.95	0.89	0.73	0.54	0.99	0.93	0.75	0.56	1.00	0.94	0.76	0.57
	ΔT	24	23	20	16	24	23	20	16	25	23	20	16	25	24	21	16	24	23	20	16	23	22	19	15
	kW	2.57	2.62	2.70	2.78	2.75	2.81	2.89	2.98	2.92	2.98	3.07	3.16	3.06	3.12	3.22	3.32	3.18	3.25	3.35	3.46	3.29	3.36	3.46	3.58
	Amps	10.9	11.2	11.5	11.8	11.7	11.9	12.2	12.6	12.5	12.8	13.1	13.5	13.2	13.5	13.9	14.4	14.0	14.3	14.7	15.2	14.7	15.0	15.4	16.0
	Hi PR	242	261	275	287	272	292	309	322	309	333	351	366	352	379	400	417	396	426	450	469	438	471	497	519
Lo PR	108	115	125	133	114	121	132	141	119	126	138	147	124	132	145	154	130	139	152	161	135	144	157	167	
85	MBh	36.1	36.8	38.6	41.1	35.3	36.0	37.7	40.2	34.4	35.1	36.8	39.2	33.6	34.2	35.9	38.3	31.9	32.5	34.1	36.4	29.6	30.1	31.6	33.7
	S/T	0.99	0.96	0.86	0.70	1.00	0.99	0.89	0.73	1.00	1.00	0.92	0.74	1.00	1.00	0.95	0.77	1.00	1.00	0.98	0.80	1.00	1.00	0.99	0.80
	ΔT	24	24	23	20	24	24	23	20	23	24	23	20	23	23	20	20	22	22	23	20	20	21	21	18
	kW	2.67	2.72	2.80	2.89	2.86	2.92	3.01	3.10	3.03	3.10	3.19	3.29	3.18	3.25	3.35	3.46	3.31	3.38	3.49	3.60	3.42	3.50	3.61	3.73
	Amps	11.4	11.6	11.9	12.3	12.1	12.4	12.7	13.1	13.0	13.3	13.7	14.1	13.8	14.1	14.5	14.9	14.5	14.8	15.3	15.8	15.3	15.6	16.1	16.6
	Hi PR	255	274	289	302	286	308	325	339	325	350	369	385	370	398	421	439	416	448	473	494	460	495	523	545
	Lo PR	114	121	132	140	120	128	139	148	125	133	145	154	131	139	152	162	137	146	159	170	142	151	165	176
	MBh	35.1	35.7	37.4	39.9	34.3	34.9	36.6	39.0	33.4	34.1	35.7	38.1	32.6	33.3	34.8	37.2	31.0	31.6	33.1	35.3	28.7	29.3	30.6	32.7
	S/T	0.94	0.91	0.82	0.67	0.98	0.94	0.85	0.69	1.00	0.97	0.87	0.71	1.00	1.00	0.90	0.73	1.00	1.00	0.94	0.76	1.00	1.00	0.94	0.77
	ΔT	25	25	24	20	26	25	24	21	26	25	24	21	25	25	24	21	24	24	24	21	22	22	22	19
1200	kW	2.65	2.70	2.78	2.87	2.84	2.90	2.99	3.08	3.01	3.07	3.17	3.27	3.16	3.23	3.33	3.43	3.29	3.36	3.46	3.57	3.40	3.47	3.58	3.70
	Amps	11.3	11.5	11.8	12.2	12.0	12.3	12.6	13.0	12.9	13.2	13.5	14.0	13.7	14.0	14.4	14.8	14.4	14.7	15.2	15.7	15.2	15.5	16.0	16.5
	Hi PR	252	271	287	299	283	305	322	335	322	346	366	381	367	394	417	434	412	444	469	489	456	490	518	540
	Lo PR	112	120	131	139	119	126	138	147	123	131	143	153	130	138	151	160	136	145	158	168	141	149	163	174
	MBh	32.4	33.0	34.6	36.9	31.6	32.2	33.8	36.0	30.9	31.5	32.9	35.1	30.1	30.7	32.1	34.3	28.6	29.2	30.5	32.6	26.5	27.0	28.3	30.2
	S/T	0.91	0.88	0.79	0.64	0.94	0.91	0.82	0.67	0.97	0.93	0.84	0.68	1.00	0.96	0.87	0.71	1.00	1.00	0.90	0.73	1.00	1.00	0.91	0.74
	ΔT	26	25	24	21	26	26	24	21	26	26	24	21	26	26	24	21	25	26	24	21	23	24	23	20
	kW	2.59	2.64	2.72	2.80	2.78	2.83	2.92	3.01	2.94	3.00	3.09	3.19	3.08	3.15	3.25	3.35	3.21	3.28	3.38	3.49	3.31	3.39	3.49	3.61
	Amps	11.0	11.2	11.5	11.9	11.8	12.0	12.3	12.7	12.6	12.9	13.2	13.7	13.3	13.6	14.0	14.5	14.1	14.4	14.8	15.3	14.8	15.1	15.6	16.1
	Hi PR	245	263	278	290	274	295	312	325	312	336	355	370	356	383	404	421	400	430	455	474	442	476	502	524
Lo PR	109	116	127	135	115	123	134	142	120	127	139	148	126	134	146	156	132	140	153	163	136	145	158	169	

IDB: Entering Indoor Dry Bulb Temperature
 Design Subcooling, 12±3 °F @ the liquid access fitting connection AHR1 95 test conditions. Design Superheat 8±3 °F @ the compressor suction access fitting connection.
 Shaded area reflects AHR1 (TVA) conditions.
 Amps: Unit amps (comp. + evaporator + condenser fan motors)
 kW = Total system power

PRODUCT SPECIFICATIONS

EXPANDED COOLING DATA — WPH4342AH

IDB*	Airflow	Outdoor Ambient Temperature																							
		65°F				75°F				85°F				95°F				105°F				115°F			
		59	63	67	71	59	63	67	71	59	63	67	71	59	63	67	71	59	63	67	71	59	63	67	71
70	MBh	39.7	41.1	45.1	-	38.8	40.2	44.0	-	37.8	39.2	43.0	-	36.9	38.3	41.9	-	35.1	36.4	39.8	-	32.5	33.7	36.9	-
	S/T	0.76	0.63	0.44	-	0.79	0.66	0.46	-	0.81	0.67	0.47	-	0.83	0.70	0.48	-	0.87	0.72	0.50	-	0.87	0.73	0.50	-
	ΔT	17	15	11	-	18	15	12	-	18	15	12	-	18	15	12	-	18	15	12	-	16	14	11	-
	kW	2.82	2.88	2.96	-	3.02	3.08	3.17	-	3.20	3.26	3.36	-	3.35	3.42	3.52	-	3.48	3.55	3.66	-	3.59	3.67	3.78	-
	Amps	12.4	12.6	13.0	-	13.2	13.5	13.8	-	14.2	14.4	14.8	-	15.0	15.3	15.7	-	15.8	16.1	16.6	-	16.6	16.9	17.4	-
	Hi PR	235	253	267	-	264	284	300	-	300	323	341	-	342	368	388	-	384	414	437	-	425	457	483	-
	Lo PR	113	120	132	-	120	127	139	-	124	132	144	-	131	139	152	-	137	146	159	-	142	151	164	-
	MBh	38.5	39.9	43.8	-	37.6	39.0	42.7	-	36.7	38.1	41.7	-	35.8	37.1	40.7	-	34.1	35.3	38.7	-	31.5	32.7	35.8	-
	S/T	0.72	0.61	0.42	-	0.75	0.63	0.43	-	0.77	0.64	0.45	-	0.79	0.66	0.46	-	0.83	0.69	0.48	-	0.83	0.69	0.48	-
	ΔT	18	16	12	-	18	16	12	-	18	16	12	-	19	16	12	-	18	16	12	-	17	15	11	-
kW	2.80	2.86	2.94	-	3.00	3.06	3.15	-	3.17	3.24	3.33	-	3.32	3.39	3.49	-	3.45	3.52	3.63	-	3.57	3.64	3.75	-	
Amps	12.3	12.5	12.9	-	13.1	13.4	13.7	-	14.0	14.3	14.7	-	14.9	15.2	15.6	-	15.7	16.0	16.4	-	16.5	16.8	17.3	-	
Hi PR	233	251	265	-	261	281	297	-	297	320	338	-	338	364	385	-	381	410	433	-	421	453	478	-	
Lo PR	112	119	130	-	118	126	138	-	123	131	143	-	129	138	150	-	136	144	157	-	140	149	163	-	
MBh	35.6	36.9	40.4	-	34.7	36.0	39.4	-	33.9	35.1	38.5	-	33.1	34.3	37.6	-	31.4	32.6	35.7	-	29.1	30.2	33.1	-	
S/T	0.70	0.58	0.40	-	0.72	0.60	0.42	-	0.74	0.62	0.43	-	0.77	0.64	0.44	-	0.80	0.66	0.46	-	0.80	0.67	0.46	-	
ΔT	18	16	12	-	19	16	12	-	19	16	12	-	19	16	12	-	19	16	12	-	17	15	11	-	
kW	2.74	2.80	2.88	-	2.93	2.99	3.08	-	3.10	3.16	3.26	-	3.25	3.31	3.41	-	3.37	3.44	3.55	-	3.48	3.55	3.66	-	
Amps	12.0	12.3	12.6	-	12.8	13.1	13.4	-	13.7	14.0	14.4	-	14.5	14.8	15.2	-	15.3	15.6	16.1	-	16.1	16.4	16.9	-	
Hi PR	226	243	257	-	253	273	288	-	288	310	327	-	328	353	373	-	369	397	420	-	408	439	464	-	
Lo PR	109	116	126	-	115	122	133	-	119	127	139	-	125	133	146	-	131	140	153	-	136	145	158	-	

75	MBh	40.4	41.6	45.0	48.3	39.4	40.6	43.9	47.2	38.5	39.6	42.9	46.0	37.5	38.7	41.8	44.9	35.7	36.7	39.7	42.7	33.0	34.0	36.8	39.5
	S/T	0.86	0.77	0.58	0.38	0.90	0.80	0.61	0.39	0.92	0.82	0.62	0.40	0.95	0.85	0.64	0.41	0.98	0.88	0.67	0.43	0.99	0.89	0.67	0.43
	ΔT	20	19	15	11	20	19	15	11	20	19	15	11	21	19	16	11	20	19	15	11	19	18	14	10
	kW	2.85	2.90	2.98	3.07	3.04	3.10	3.20	3.29	3.22	3.29	3.38	3.49	3.38	3.44	3.55	3.66	3.51	3.58	3.69	3.81	3.62	3.70	3.81	3.93
	Amps	12.5	12.7	13.1	13.5	13.3	13.6	13.9	14.4	14.3	14.6	15.0	15.4	15.1	15.4	15.8	16.4	15.9	16.2	16.7	17.3	16.7	17.1	17.6	18.2
	Hi PR	238	256	270	282	267	287	303	316	303	326	344	359	345	372	392	409	388	418	441	460	429	462	488	509
	Lo PR	114	122	133	141	121	129	140	149	126	134	146	155	132	140	153	163	138	147	161	171	143	152	166	177
	MBh	39.2	40.3	43.7	46.9	38.3	39.4	42.7	45.8	37.4	38.5	41.6	44.7	36.5	37.5	40.6	43.6	34.6	35.7	38.6	41.4	32.1	33.0	35.7	38.4
	S/T	0.82	0.74	0.56	0.36	0.85	0.76	0.58	0.37	0.88	0.78	0.59	0.38	0.90	0.81	0.61	0.39	0.94	0.84	0.63	0.41	0.95	0.85	0.64	0.41
	ΔT	21	19	16	11	21	20	16	11	21	20	16	11	21	20	16	11	21	20	16	11	20	18	15	10
kW	2.82	2.88	2.96	3.05	3.02	3.08	3.17	3.27	3.20	3.26	3.36	3.46	3.35	3.42	3.52	3.63	3.48	3.55	3.66	3.78	3.59	3.67	3.78	3.90	
Amps	12.4	12.6	13.0	13.4	13.2	13.5	13.8	14.3	14.2	14.4	14.8	15.3	15.0	15.3	15.7	16.2	15.8	16.1	16.6	17.1	16.6	16.9	17.4	18.0	
Hi PR	235	253	267	279	264	284	300	313	300	323	341	356	342	368	388	405	385	414	437	456	425	457	483	504	
Lo PR	113	120	132	140	120	127	139	148	124	132	144	154	131	139	152	162	137	146	159	169	142	151	164	175	
MBh	36.2	37.2	40.3	43.3	35.3	36.4	39.4	42.3	34.5	35.5	38.4	41.2	33.6	34.6	37.5	40.2	32.0	32.9	35.6	38.2	29.6	30.5	33.0	35.4	
S/T	0.79	0.71	0.54	0.35	0.82	0.74	0.56	0.36	0.84	0.75	0.57	0.37	0.87	0.78	0.59	0.38	0.90	0.81	0.61	0.39	0.91	0.82	0.62	0.40	
ΔT	21	20	16	11	22	20	16	11	22	20	16	11	22	20	16	11	22	20	16	11	20	18	15	10	
kW	2.76	2.82	2.90	2.98	2.96	3.01	3.10	3.19	3.12	3.19	3.28	3.38	3.27	3.34	3.44	3.55	3.40	3.47	3.58	3.69	3.51	3.58	3.69	3.81	
Amps	12.1	12.4	12.7	13.1	12.9	13.2	13.5	13.9	13.8	14.1	14.5	15.0	14.6	14.9	15.3	15.8	15.4	15.7	16.2	16.7	16.2	16.5	17.0	17.6	
Hi PR	228	245	259	270	256	275	291	303	291	313	331	345	332	357	377	393	373	401	424	442	412	444	468	488	
Lo PR	110	117	128	136	116	123	135	144	121	128	140	149	127	135	147	157	133	141	154	164	137	146	160	170	

IDB: Entering Indoor Dry Bulb Temperature
 Design Subcooling, 12±3 °F @ the liquid access fitting connection
 Shaded area reflects ACOA (TVA) conditions
 kW = Total system power
 Amps: Unit amps (comp. + evaporator + condenser fan motors)
 @ the compressor suction access fitting connection.

EXPANDED COOLING DATA — WPH4342AH (CONT.)

IDB*	Outdoor Ambient Temperature																																			
	65°F					75°F					85°F					95°F					105°F					115°F										
	59	63	67	71	75	59	63	67	71	75	59	63	67	71	75	59	63	67	71	75	59	63	67	71	75	59	63	67	71	75						
	Entering Indoor Wet Bulb Temperature																																			
	Airflow	59	63	67	71	75	59	63	67	71	75	59	63	67	71	75	59	63	67	71	75	59	63	67	71	75	59	63	67	71	75	59	63	67	71	75
80	MBh	41.1	42.0	44.8	47.9	40.1	41.0	43.8	46.8	39.2	40.0	42.8	45.7	38.2	39.0	41.7	44.6	36.3	37.1	39.6	42.4	33.6	34.4	36.7	39.2											
	S/T	0.95	0.89	0.72	0.54	1.00	0.92	0.75	0.56	1.00	0.94	0.77	0.57	1.00	1.00	0.79	0.59	1.00	1.00	0.82	0.62	1.00	1.00	0.83	0.62											
	ΔT	23	22	19	15	23	22	19	15	22	22	19	15	22	22	19	15	21	22	19	15	20	20	18	14											
	kW	2.87	2.92	3.01	3.09	3.07	3.13	3.22	3.32	3.24	3.23	3.31	3.41	3.52	3.40	3.47	3.58	3.69	3.54	3.61	3.72	3.84	3.65	3.73	3.84	3.96										
	Amps	12.6	12.8	13.2	13.6	13.4	13.7	14.1	14.5	14.4	14.4	14.7	15.1	15.6	15.2	15.5	16.0	16.5	16.0	16.4	16.8	17.4	16.9	17.2	17.7	18.3										
1585	Hi PR	240	258	273	284	269	290	306	319	306	329	348	363	349	375	396	413	392	422	446	465	433	466	493	514											
	Lo PR	116	123	134	143	122	130	142	151	127	135	147	157	133	142	155	165	140	149	162	173	144	154	168	179											
	MBh	39.9	40.8	43.5	46.5	39.0	39.8	42.5	45.5	38.0	38.9	41.5	44.4	37.1	37.9	40.5	43.3	35.2	36.0	38.5	41.1	32.6	33.4	35.6	38.1											
	S/T	0.90	0.85	0.69	0.52	0.94	0.88	0.71	0.53	0.96	0.90	0.73	0.55	0.99	0.93	0.76	0.57	1.00	0.96	0.79	0.59	1.00	0.97	0.79	0.59											
	ΔT	23	23	20	16	24	23	20	16	24	23	20	16	24	23	20	16	23	23	20	16	21	21	18	15											
1410	kW	2.85	2.90	2.98	3.07	3.04	3.10	3.20	3.29	3.22	3.29	3.38	3.49	3.38	3.45	3.55	3.66	3.51	3.58	3.69	3.81	3.62	3.70	3.81	3.93											
	Amps	12.5	12.7	13.1	13.5	13.3	13.6	14.0	14.4	14.3	14.6	15.0	15.4	15.1	15.4	15.8	16.4	15.9	16.2	16.7	17.3	16.7	17.1	17.6	18.2											
	Hi PR	238	256	270	282	267	287	303	316	303	326	344	359	345	372	392	409	388	418	441	460	429	462	488	509											
	Lo PR	114	122	133	142	121	129	140	150	126	134	146	155	132	140	153	163	138	147	161	171	143	152	166	177											
	MBh	36.8	37.6	40.2	43.0	36.0	36.7	39.3	42.0	35.1	35.9	38.3	41.0	34.2	35.0	37.4	40.0	32.5	33.2	35.5	38.0	30.1	30.8	32.9	35.2											
1236	S/T	0.87	0.82	0.66	0.50	0.90	0.85	0.69	0.52	0.93	0.87	0.71	0.53	0.96	0.90	0.73	0.55	0.99	0.93	0.76	0.57	1.00	0.94	0.76	0.57											
	ΔT	24	23	20	16	24	23	20	16	24	23	20	16	24	23	20	16	24	23	20	16	22	21	19	15											
	kW	2.78	2.84	2.92	3.00	2.98	3.04	3.12	3.22	3.15	3.21	3.31	3.41	3.30	3.37	3.47	3.57	3.43	3.50	3.60	3.72	3.54	3.61	3.72	3.84											
	Amps	12.2	12.5	12.8	13.2	13.0	13.3	13.6	14.1	13.9	14.2	14.6	15.1	14.7	15.0	15.5	16.0	15.5	15.9	16.3	16.8	16.3	16.7	17.2	17.7											
	Hi PR	230	248	262	273	259	278	294	306	294	316	334	349	335	360	381	397	377	405	428	447	416	448	473	493											
85	Lo PR	111	118	129	137	117	125	136	145	122	130	142	151	128	136	149	158	134	143	156	166	139	148	161	172											
	MBh	41.8	42.6	44.6	47.6	40.8	41.6	43.6	46.5	39.9	40.6	42.5	45.4	38.9	39.6	41.5	44.3	36.9	37.6	39.4	42.1	34.2	34.9	36.5	39.0											
	S/T	0.99	0.96	0.86	0.70	1.00	0.99	0.90	0.73	1.00	1.00	0.92	0.75	1.00	1.00	0.95	0.77	1.00	1.00	0.98	0.80	1.00	1.00	0.99	0.81											
	ΔT	24	24	22	19	24	24	23	20	23	24	23	20	23	23	23	20	21	22	23	19	20	20	21	18											
	kW	2.89	2.94	3.03	3.12	3.09	3.15	3.24	3.34	3.27	3.34	3.44	3.54	3.43	3.50	3.61	3.72	3.56	3.64	3.75	3.87	3.68	3.76	3.87	4.00											
1585	Amps	12.7	12.9	13.3	13.7	13.5	13.8	14.2	14.6	14.5	14.8	15.2	15.7	15.3	15.6	16.1	16.6	16.2	16.5	17.0	17.5	17.0	17.4	17.9	18.5											
	Hi PR	242	261	275	287	272	293	309	322	309	333	351	367	352	379	400	417	396	426	450	470	438	471	497	519											
	Lo PR	117	124	136	144	123	131	143	153	128	136	149	159	135	143	156	166	141	150	164	174	146	155	169	180											
	MBh	40.6	41.4	43.3	46.2	39.6	40.4	42.3	45.1	38.7	39.4	41.3	44.1	37.7	38.5	40.3	43.0	35.9	36.6	38.3	40.8	33.2	33.9	35.5	37.8											
	S/T	0.95	0.91	0.82	0.67	0.98	0.95	0.85	0.69	1.00	0.97	0.88	0.71	1.00	1.00	0.90	0.73	1.00	1.00	0.94	0.76	1.00	1.00	0.95	0.77											
1410	ΔT	25	25	23	20	25	25	24	20	25	25	24	20	25	25	24	21	23	24	23	20	22	22	22	19											
	kW	2.87	2.92	3.01	3.09	3.07	3.13	3.22	3.32	3.24	3.31	3.41	3.52	3.40	3.47	3.58	3.69	3.54	3.61	3.72	3.84	3.65	3.73	3.84	3.96											
	Amps	12.6	12.8	13.2	13.6	13.4	13.7	14.1	14.5	14.4	14.7	15.1	15.6	15.2	15.5	16.0	16.5	16.0	16.4	16.8	17.4	16.9	17.2	17.7	18.3											
	Hi PR	240	258	273	284	269	290	306	319	306	329	348	363	349	375	396	413	392	422	446	465	433	466	493	514											
	Lo PR	116	123	134	143	122	130	142	151	127	135	147	157	133	142	155	165	140	149	162	173	144	154	168	179											
1236	MBh	37.5	38.2	40.0	42.7	36.6	37.3	39.1	41.7	35.7	36.4	38.1	40.7	34.8	35.5	37.2	39.7	33.1	33.7	35.3	37.7	30.7	31.3	32.7	34.9											
	S/T	0.91	0.88	0.80	0.65	0.95	0.91	0.82	0.67	0.97	0.94	0.85	0.69	1.00	0.97	0.87	0.71	1.00	1.00	0.91	0.73	1.00	1.00	0.91	0.74											
	ΔT	25	25	24	20	26	25	24	21	26	25	24	21	26	26	24	21	25	25	24	21	23	23	22	19											
	kW	2.80	2.86	2.94	3.03	3.00	3.06	3.15	3.24	3.17	3.23	3.33	3.43	3.32	3.39	3.49	3.60	3.45	3.52	3.63	3.75	3.56	3.64	3.75	3.87											
	Amps	12.3	12.5	12.9	13.3	13.1	13.4	13.7	14.2	14.0	14.3	14.7	15.2	14.9	15.2	15.6	16.1	15.7	16.0	16.4	17.0	16.5	16.8	17.3	17.9											
85	Hi PR	233	250	264	276	261	281	297	310	297	320	337	352	338	364	384	401	381	410	432	451	420	452	478	498											
	Lo PR	112	119	130	139	118	126	138	146	123	131	143	152	129	138	150	160	135	144	157	168	140	149	163	173											

IDB: Entering Indoor Dry Bulb Temperature
 Design Subcooling, 12±3 °F @ the liquid access fitting connection AHRI 95 test conditions. Design Superheat 8±3 °F @ the compressor suction access fitting connection. kW = Total system power
 Shaded area reflects AHRI (TVA) conditions.
 Amps: Unit amps (comp. + evaporator + condenser fan motors)

PRODUCT SPECIFICATIONS

EXPANDED COOLING DATA — WPH4348AH

IDB*	Airflow	Outdoor Ambient Temperature																							
		65°F				75°F				85°F				95°F				105°F				115°F			
		59	63	67	71	59	63	67	71	59	63	67	71	59	63	67	71	59	63	67	71	59	63	67	71
70	MBh	45.1	46.7	51.2	-	44.0	45.6	50.0	-	43.0	44.5	48.8	-	41.9	43.5	47.6	-	39.8	41.3	45.2	-	36.9	38.2	41.9	-
	S/T	0.78	0.65	0.45	-	0.81	0.67	0.47	-	0.83	0.69	0.48	-	0.85	0.71	0.49	-	0.89	0.74	0.51	-	0.89	0.75	0.52	-
	ΔT	18	16	12	-	18	16	12	-	18	16	12	-	18	16	12	-	18	16	12	-	17	15	11	-
	kW	3.09	3.15	3.24	-	3.31	3.37	3.47	-	3.50	3.57	3.67	-	3.66	3.74	3.85	-	3.81	3.88	4.00	-	3.93	4.01	4.13	-
	Amps	13.6	13.8	14.2	-	14.5	14.7	15.1	-	15.5	15.8	16.2	-	16.4	16.7	17.2	-	17.2	17.6	18.1	-	18.1	18.5	19.0	-
	Hi PR	228	245	259	-	256	275	290	-	291	313	330	-	331	356	376	-	372	401	423	-	411	443	468	-
	Lo PR	109	116	127	-	116	123	134	-	120	128	139	-	126	134	146	-	132	141	154	-	137	145	159	-
	MBh	43.8	45.4	49.7	-	42.7	44.3	48.5	-	41.7	43.2	47.4	-	40.7	42.2	46.2	-	38.7	40.1	43.9	-	35.8	37.1	40.7	-
	S/T	0.74	0.62	0.43	-	0.77	0.64	0.45	-	0.79	0.66	0.46	-	0.81	0.68	0.47	-	0.85	0.71	0.49	-	0.85	0.71	0.49	-
	ΔT	19	16	12	-	19	16	12	-	19	16	12	-	19	16	13	-	19	16	12	-	18	15	12	-
kW	3.07	3.13	3.22	-	3.28	3.35	3.44	-	3.47	3.54	3.64	-	3.64	3.71	3.82	-	3.78	3.85	3.97	-	3.90	3.98	4.10	-	
Amps	13.5	13.7	14.1	-	14.4	14.6	15.0	-	15.4	15.7	16.1	-	16.2	16.6	17.0	-	17.1	17.5	18.0	-	18.0	18.3	18.9	-	
Hi PR	225	243	256	-	253	272	287	-	288	310	327	-	328	353	372	-	369	397	419	-	407	438	463	-	
Lo PR	108	115	126	-	114	122	133	-	119	126	138	-	125	133	145	-	131	139	152	-	135	144	157	-	
MBh	40.4	41.9	45.9	-	39.5	40.9	44.8	-	38.5	39.9	43.7	-	37.6	38.9	42.7	-	35.7	37.0	40.5	-	33.1	34.3	37.5	-	
S/T	0.72	0.60	0.41	-	0.74	0.62	0.43	-	0.76	0.64	0.44	-	0.79	0.66	0.45	-	0.82	0.68	0.47	-	0.82	0.69	0.48	-	
ΔT	19	16	12	-	19	17	13	-	19	17	13	-	19	17	13	-	19	17	13	-	18	15	12	-	
kW	3.01	3.06	3.15	-	3.21	3.27	3.37	-	3.39	3.46	3.56	-	3.55	3.62	3.73	-	3.69	3.76	3.88	-	3.81	3.89	4.00	-	
Amps	13.2	13.4	13.8	-	14.0	14.3	14.7	-	15.0	15.3	15.7	-	15.9	16.2	16.6	-	16.7	17.1	17.5	-	17.5	17.9	18.4	-	
Hi PR	219	235	249	-	245	264	279	-	279	300	317	-	318	342	361	-	358	385	406	-	395	425	449	-	
Lo PR	105	112	122	-	111	118	129	-	115	123	134	-	121	129	141	-	127	135	147	-	131	140	153	-	
75	MBh	45.8	47.2	51.1	54.8	44.8	46.1	49.9	53.6	43.7	45.0	48.7	52.3	42.6	43.9	47.5	51.0	40.5	41.7	45.1	48.5	37.5	38.6	41.8	44.9
	S/T	0.88	0.79	0.60	0.39	0.92	0.82	0.62	0.40	0.94	0.84	0.64	0.41	0.97	0.87	0.66	0.42	1.00	0.90	0.68	0.44	1.00	0.91	0.69	0.44
	ΔT	21	19	16	11	21	19	16	11	21	19	16	11	21	19	16	11	21	19	16	11	19	18	15	10
	kW	3.12	3.18	3.27	3.36	3.33	3.40	3.50	3.60	3.52	3.59	3.70	3.81	3.69	3.77	3.88	4.00	3.84	3.91	4.03	4.16	3.96	4.04	4.17	4.30
	Amps	13.7	13.9	14.3	14.7	14.6	14.9	15.3	15.7	15.6	15.9	16.4	16.9	16.5	16.8	17.3	17.9	17.4	17.7	18.2	18.8	18.3	18.6	19.2	19.8
	Hi PR	230	248	261	273	258	278	293	306	294	316	334	348	334	360	380	396	376	405	427	446	416	447	472	493
	Lo PR	110	118	128	137	117	124	136	144	121	129	141	150	127	136	148	158	134	142	155	165	138	147	160	171
	MBh	44.5	45.8	49.6	53.2	43.5	44.8	48.4	52.0	42.4	43.7	47.3	50.8	41.4	42.6	46.1	49.5	39.3	40.5	43.8	47.0	36.4	37.5	40.6	43.6
	S/T	0.84	0.75	0.57	0.37	0.87	0.78	0.59	0.38	0.90	0.80	0.61	0.39	0.93	0.83	0.63	0.40	0.96	0.86	0.65	0.42	0.97	0.87	0.66	0.42
	ΔT	22	20	16	11	22	20	16	11	22	20	16	11	22	20	17	11	22	20	16	11	20	19	15	11
kW	3.09	3.15	3.24	3.34	3.31	3.37	3.47	3.57	3.50	3.57	3.67	3.78	3.66	3.74	3.85	3.97	3.81	3.88	4.00	4.13	3.93	4.01	4.13	4.26	
Amps	13.6	13.8	14.2	14.6	14.5	14.7	15.1	15.6	15.5	15.8	16.2	16.7	16.4	16.7	17.2	17.7	17.2	17.6	18.1	18.7	18.1	18.5	19.0	19.6	
Hi PR	228	245	259	270	256	275	290	303	291	313	330	345	331	356	376	392	372	401	423	441	412	443	468	488	
Lo PR	109	116	127	135	116	123	134	143	120	128	139	149	126	134	147	156	132	141	154	164	137	145	159	169	
MBh	41.1	42.3	45.8	49.1	40.1	41.3	44.7	48.0	39.2	40.3	43.7	46.8	38.2	39.3	42.6	45.7	36.3	37.4	40.5	43.4	33.6	34.6	37.5	40.2	
S/T	0.81	0.73	0.55	0.35	0.84	0.75	0.57	0.37	0.86	0.77	0.59	0.38	0.89	0.80	0.60	0.39	0.93	0.83	0.63	0.40	0.93	0.84	0.63	0.41	
ΔT	22	20	17	11	22	20	17	12	22	20	17	12	22	20	17	12	22	20	17	12	21	19	16	11	
kW	3.03	3.08	3.17	3.26	3.23	3.30	3.39	3.49	3.42	3.49	3.59	3.70	3.58	3.65	3.76	3.88	3.72	3.79	3.91	4.03	3.84	3.92	4.04	4.16	
Amps	13.3	13.5	13.9	14.3	14.1	14.4	14.8	15.3	15.1	15.4	15.9	16.4	16.0	16.3	16.8	17.3	16.8	17.2	17.7	18.2	17.7	18.0	18.6	19.2	
Hi PR	221	238	251	262	248	267	282	294	282	303	320	334	321	346	365	381	361	389	411	428	399	430	454	473	
Lo PR	106	113	123	131	112	119	130	139	116	124	135	144	122	130	142	151	128	136	149	159	133	141	154	164	

IDB: Entering Indoor Dry Bulb Temperature
 Design Subcooling, 12±3 °F @ the liquid access fitting connection AHRI 95 test conditions. Design Superheat 8±3 °F @ the compressor suction access fitting connection. kW = Total system power

Shaded area reflects ACCA (TVA) conditions

Amps: Unit amps (comp + evaporator + condenser fan motors)

PRODUCT SPECIFICATIONS

EXPANDED COOLING DATA — WPH4360AH

IDB*	Airflow	Outdoor Ambient Temperature																																			
		65°F						75°F						85°F						95°F						105°F						115°F					
		59	63	67	71	59	63	67	71	59	63	67	71	59	63	67	71	59	63	67	71	59	63	67	71	59	63	67	71	59	63	67	71				
70	MBh	56.3	58.4	64.0	-	55.0	57.0	62.5	-	53.7	55.7	61.0	-	52.4	54.3	59.5	-	49.8	51.6	56.5	-	46.1	47.8	52.4	-	46.1	47.8	52.4	-	46.1	47.8	52.4	-				
	S/T	0.75	0.62	0.43	-	0.77	0.65	0.45	-	0.79	0.66	0.46	-	0.82	0.68	0.47	-	0.85	0.71	0.49	-	0.86	0.71	0.50	-	0.86	0.71	0.50	-	0.86	0.71	0.50	-				
	ΔT	19	16	12	-	19	16	12	-	19	16	12	-	19	16	12	-	19	16	12	-	17	15	11	-	17	15	11	-	17	15	11	-				
	2079	kW	3.85	3.93	4.06	-	4.15	4.24	4.37	-	4.41	4.50	4.65	-	4.64	4.74	4.89	-	4.83	4.94	5.10	-	5.00	5.11	5.28	-	5.00	5.11	5.28	-	5.00	5.11	5.28	-			
	Amps	16.2	16.5	17.0	-	17.4	17.7	18.3	-	18.7	19.1	19.7	-	19.9	20.3	20.9	-	21.0	21.5	22.2	-	22.2	22.7	23.4	-	22.2	22.7	23.4	-	22.2	22.7	23.4	-				
	Hi PR	233	250	264	-	261	281	296	-	297	319	337	-	338	364	384	-	380	409	432	-	420	452	477	-	420	452	477	-	420	452	477	-				
	Lo PR	107	114	124	-	113	120	131	-	118	125	137	-	124	131	144	-	130	138	150	-	134	143	156	-	134	143	156	-	134	143	156	-				
	MBh	54.7	56.7	62.1	-	53.4	55.4	60.7	-	52.2	54.1	59.2	-	50.9	52.7	57.8	-	48.3	50.1	54.9	-	44.8	46.4	50.9	-	44.8	46.4	50.9	-	44.8	46.4	50.9	-				
	S/T	0.71	0.59	0.41	-	0.74	0.62	0.43	-	0.76	0.63	0.44	-	0.78	0.65	0.45	-	0.81	0.68	0.47	-	0.82	0.68	0.47	-	0.82	0.68	0.47	-	0.82	0.68	0.47	-				
	ΔT	19	17	13	-	20	17	13	-	20	17	13	-	20	17	13	-	19	17	13	-	18	16	12	-	18	16	12	-	18	16	12	-				
75	MBh	3.82	3.90	4.03	-	4.11	4.20	4.34	-	4.37	4.47	4.61	-	4.60	4.70	4.85	-	4.79	4.90	5.06	-	4.96	5.07	5.23	-	4.96	5.07	5.23	-	4.96	5.07	5.23	-				
	Amps	16.1	16.4	16.9	-	17.2	17.6	18.1	-	18.5	19.0	19.5	-	19.7	20.1	20.7	-	20.8	21.3	22.0	-	22.0	22.5	23.2	-	22.0	22.5	23.2	-	22.0	22.5	23.2	-				
	Hi PR	230	248	262	-	258	278	294	-	294	316	334	-	335	360	380	-	376	405	428	-	416	448	473	-	416	448	473	-	416	448	473	-				
	Lo PR	106	113	123	-	112	119	130	-	116	124	135	-	122	130	142	-	128	136	149	-	133	141	154	-	133	141	154	-	133	141	154	-				
	MBh	50.5	52.3	57.3	-	49.3	51.1	56.0	-	48.1	49.9	54.7	-	47.0	48.7	53.3	-	44.6	46.2	50.7	-	41.3	42.8	46.9	-	41.3	42.8	46.9	-	41.3	42.8	46.9	-				
	S/T	0.69	0.57	0.40	-	0.71	0.59	0.41	-	0.73	0.61	0.42	-	0.75	0.63	0.44	-	0.78	0.65	0.45	-	0.79	0.66	0.46	-	0.79	0.66	0.46	-	0.79	0.66	0.46	-				
	ΔT	20	17	13	-	20	17	13	-	20	17	13	-	20	17	13	-	20	17	13	-	18	16	12	-	18	16	12	-	18	16	12	-				
	1621	kW	3.73	3.81	3.93	-	4.02	4.10	4.23	-	4.27	4.36	4.50	-	4.48	4.58	4.73	-	4.67	4.77	4.93	-	4.83	4.94	5.10	-	4.83	4.94	5.10	-	4.83	4.94	5.10	-			
		Amps	15.7	16.0	16.5	-	16.8	17.2	17.7	-	18.1	18.5	19.0	-	19.2	19.6	20.2	-	20.3	20.8	21.4	-	21.4	21.9	22.6	-	21.4	21.9	22.6	-	21.4	21.9	22.6	-			
		Hi PR	223	240	254	-	251	270	285	-	285	307	324	-	325	349	369	-	365	393	415	-	403	434	458	-	403	434	458	-	403	434	458	-			
Lo PR		103	109	120	-	109	116	126	-	113	120	131	-	119	126	138	-	124	132	144	-	129	137	149	-	129	137	149	-	129	137	149	-				
MBh		57.3	59.0	63.9	68.5	56.0	57.6	62.4	66.9	54.6	56.3	60.9	65.3	53.3	54.9	59.4	63.8	50.6	52.1	56.4	60.6	46.9	48.3	52.3	56.1	46.9	48.3	52.3	56.1	46.9	48.3	52.3	56.1				
S/T		0.85	0.76	0.57	0.37	0.88	0.79	0.59	0.38	0.90	0.81	0.61	0.39	0.93	0.83	0.63	0.40	0.97	0.86	0.65	0.42	0.97	0.87	0.66	0.42	0.97	0.87	0.66	0.42	0.97	0.87	0.66	0.42				
ΔT		21	20	16	11	22	20	16	11	22	20	16	11	22	20	17	11	22	20	16	11	20	19	15	11	20	19	15	11	20	19	15	11				
2079		kW	3.89	3.97	4.09	4.22	4.18	4.27	4.41	4.55	4.44	4.54	4.69	4.84	4.67	4.78	4.93	5.10	4.87	4.98	5.14	5.32	5.04	5.15	5.32	5.50	5.04	5.15	5.32	5.50	5.04	5.15	5.32	5.50			
		Amps	16.3	16.7	17.2	17.7	17.5	17.9	18.4	19.0	18.9	19.3	19.9	20.5	20.0	20.5	21.1	21.8	21.2	21.7	22.3	23.1	22.4	22.9	23.6	24.4	22.4	22.9	23.6	24.4	22.4	22.9	23.6	24.4			
		Hi PR	235	253	267	278	264	284	300	312	300	323	341	355	341	367	388	405	384	413	436	455	424	457	482	503	424	457	482	503	424	457	482	503			
	Lo PR	108	115	126	134	114	122	133	141	119	126	138	147	125	133	145	154	131	139	152	162	135	144	157	167	135	144	157	167	135	144	157	167				
	MBh	55.6	57.3	62.0	66.5	54.3	55.9	60.6	65.0	53.0	54.6	59.1	63.4	51.8	53.3	57.7	61.9	49.2	50.6	54.8	58.8	45.5	46.9	50.8	54.5	45.5	46.9	50.8	54.5	45.5	46.9	50.8	54.5				
	S/T	0.81	0.72	0.55	0.35	0.84	0.75	0.57	0.36	0.86	0.77	0.58	0.37	0.89	0.79	0.60	0.39	0.92	0.82	0.62	0.40	0.93	0.83	0.63	0.40	0.93	0.83	0.63	0.40	0.93	0.83	0.63	0.40				
	ΔT	22	21	17	12	23	21	17	12	23	21	17	12	23	21	17	12	22	21	17	12	21	19	16	11	21	19	16	11	21	19	16	11				
	1850	kW	3.85	3.94	4.06	4.19	4.15	4.24	4.37	4.51	4.41	4.50	4.65	4.80	4.64	4.74	4.89	5.06	4.83	4.94	5.10	5.27	5.00	5.11	5.28	5.46	5.00	5.11	5.28	5.46	5.00	5.11	5.28	5.46			
		Amps	16.2	16.5	17.0	17.6	17.4	17.7	18.3	18.9	18.7	19.1	19.7	20.4	19.9	20.3	20.9	21.6	21.0	21.5	22.2	22.9	22.2	22.7	23.4	24.2	22.2	22.7	23.4	24.2	22.2	22.7	23.4	24.2			
		Hi PR	233	250	264	276	261	281	297	309	297	319	337	352	338	364	384	401	380	409	432	451	420	452	477	498	420	452	477	498	420	452	477	498			
Lo PR		107	114	124	133	113	120	131	140	118	125	137	146	124	131	144	153	130	138	150	160	134	143	156	166	134	143	156	166	134	143	156	166				
MBh		51.3	52.9	57.2	61.4	50.2	51.6	55.9	60.0	49.0	50.4	54.6	58.6	47.8	49.2	53.2	57.1	45.4	46.7	50.6	54.3	42.0	43.3	46.8	50.3	42.0	43.3	46.8	50.3	42.0	43.3	46.8	50.3				
S/T		0.78	0.70	0.53	0.34	0.81	0.72	0.55	0.35	0.83	0.74	0.56	0.36	0.86	0.76	0.58	0.37	0.89	0.79	0.60	0.39	0.89	0.80	0.61	0.39	0.89	0.80	0.61	0.39	0.89	0.80	0.61	0.39				
ΔT		23	21	17	12	23	21	17	12	23	21	17	12	23	21	17	12	23	21	17	12	23	21	17	12	23	21	17	12	23	21	17	12				
1621		kW	3.76	3.84	3.96	4.09	4.05	4.13	4.27	4.40	4.30	4.39	4.53	4.68	4.52	4.62	4.77	4.93	4.71	4.81	4.97	5.14	4.87	4.98	5.15	5.32	4.87	4.98	5.15	5.32	4.87	4.98	5.15	5.32			
		Amps	15.8	16.1	16.6	17.2	16.9	17.3	17.8	18.4	18.2	18.6	19.2	19.8	19.4	19.8	20.4	21.1	20.5	20.9	21.6	22.3	21.6	22.1	22.8	23.6	21.6	22.1	22.8	23.6	21.6	22.1	22.8	23.6			
		Hi PR	226	243	256	267	253	272	288	300	288	310	327	341	328	353	373	389	369	397	419	437	408	439	463	483	408	439	463	483	408	439	463	483			
	Lo PR	104	111	121	129	110	117	128	136	114	121	133	141	120	128	139	148	126	134	146	155	130	138	151	161	130	138	151	161	130	138	151	161				
	MBh	50.5	52.3	57.3	61.4	49.3	51.1	56.0	60.6	48.1	49.9	54.7	58.6	47.0	48.7	53.3	57.7	46.2	47.8	52.3	56.4	44.6	46.2	50.7	54.5	44.6	46.2	50.7	54.5	44.6	46.2	50.7	54.5				

EXPANDED COOLING DATA — WPH4360AH (CONT.)

IDB*	Airflow	Outdoor Ambient Temperature																							
		65°F				75°F				85°F				95°F				105°F				115°F			
		59	63	67	71	59	63	67	71	59	63	67	71	59	63	67	71	59	63	67	71	59	63	67	71
80	MBh	58.3	59.6	63.7	68.1	57.0	58.2	62.2	66.5	55.6	56.8	60.7	64.9	54.3	55.4	59.2	63.3	51.5	52.7	56.3	60.1	47.7	48.8	52.1	55.7
	S/T	0.93	0.87	0.71	0.53	0.96	0.90	0.74	0.55	1.00	0.93	0.75	0.56	1.00	0.96	0.78	0.58	1.00	1.00	0.81	0.60	1.00	1.00	0.81	0.61
	ΔT	24	23	20	16	24	23	20	16	24	23	20	16	24	23	20	16	23	23	20	16	21	22	19	15
	kW	3.92	4.00	4.12	4.26	4.22	4.31	4.44	4.59	4.48	4.58	4.73	4.88	4.71	4.82	4.98	5.14	4.91	5.02	5.19	5.36	5.08	5.20	5.37	5.55
	Amps	16.5	16.8	17.3	17.9	17.6	18.0	18.6	19.2	19.0	19.4	20.0	20.7	20.2	20.6	21.3	22.0	21.4	21.9	22.5	23.3	22.5	23.1	23.8	24.6
	Hi PR	237	255	270	281	266	286	303	316	303	326	344	359	345	371	392	409	388	417	441	460	429	461	487	508
	Lo PR	109	116	127	135	116	123	134	143	120	128	139	148	126	134	146	156	132	141	153	163	137	145	159	169
	MBh	56.6	57.9	61.8	66.1	55.3	56.5	60.4	64.5	54.0	55.2	58.9	63.0	52.7	53.8	57.5	61.5	50.0	51.1	54.6	58.4	46.3	47.4	50.6	54.1
	S/T	0.89	0.83	0.68	0.51	0.92	0.86	0.70	0.52	0.94	0.88	0.72	0.54	0.97	0.91	0.74	0.55	1.00	0.95	0.77	0.58	1.00	0.95	0.78	0.58
	ΔT	25	24	21	17	25	24	21	17	25	24	21	17	25	24	21	17	25	24	21	17	23	22	20	16
	kW	3.89	3.97	4.09	4.22	4.18	4.27	4.41	4.55	4.44	4.54	4.69	4.84	4.68	4.78	4.93	5.10	4.87	4.98	5.14	5.32	5.04	5.15	5.32	5.50
	Amps	16.3	16.7	17.2	17.7	17.5	17.9	18.4	19.0	18.9	19.3	19.9	20.5	20.0	20.5	21.1	21.8	21.2	21.7	22.3	23.1	22.4	22.9	23.6	24.4
Hi PR	235	253	267	278	264	284	300	312	300	323	341	355	341	367	388	405	384	413	437	455	424	457	482	503	
Lo PR	108	115	126	134	114	122	133	141	119	126	138	147	125	133	145	154	131	139	152	162	135	144	157	167	
MBh	52.3	53.4	57.1	61.0	51.0	52.2	55.7	59.6	49.8	50.9	54.4	58.2	48.6	49.7	53.1	56.7	46.2	47.2	50.4	53.9	42.8	43.7	46.7	49.9	
S/T	0.85	0.80	0.65	0.49	0.89	0.83	0.68	0.51	0.91	0.85	0.69	0.52	0.94	0.88	0.72	0.54	0.97	0.91	0.74	0.56	0.98	0.92	0.75	0.56	
ΔT	25	24	21	17	26	25	21	17	26	25	21	17	26	25	22	17	25	24	21	17	24	23	20	16	
kW	3.79	3.87	3.99	4.12	4.08	4.17	4.30	4.44	4.34	4.43	4.57	4.72	4.56	4.66	4.81	4.97	4.75	4.85	5.01	5.18	4.91	5.02	5.19	5.36	
Amps	15.9	16.3	16.8	17.3	17.1	17.4	18.0	18.6	18.4	18.8	19.4	20.0	19.5	20.0	20.6	21.3	20.7	21.1	21.8	22.5	21.8	22.3	23.0	23.8	
Hi PR	228	245	259	270	256	275	291	303	321	313	330	345	331	356	376	393	373	401	423	442	412	443	468	488	
Lo PR	105	112	122	130	111	118	129	137	115	123	134	143	121	129	141	150	127	135	147	157	131	140	152	162	
85	MBh	59.3	60.5	63.3	67.6	58.0	59.1	61.9	66.0	56.6	57.7	60.4	64.4	55.2	56.3	58.9	62.9	52.4	53.5	56.0	59.7	48.6	49.5	51.9	55.3
	S/T	0.97	0.94	0.85	0.69	1.00	0.97	0.88	0.71	1.00	1.00	0.90	0.73	1.00	1.00	0.93	0.76	1.00	1.00	0.97	0.78	1.00	1.00	0.97	0.79
	ΔT	26	25	24	21	26	25	24	21	25	25	24	21	24	25	24	21	23	24	24	21	21	22	22	19
	kW	3.95	4.03	4.16	4.29	4.25	4.34	4.48	4.63	4.52	4.62	4.77	4.92	4.75	4.86	5.02	5.18	4.95	5.06	5.23	5.41	5.13	5.24	5.42	5.60
	Amps	16.6	16.9	17.4	18.0	17.8	18.2	18.7	19.3	19.2	19.6	20.2	20.9	20.4	20.8	21.5	22.2	21.6	22.0	22.7	23.5	22.7	23.3	24.0	24.8
	Hi PR	240	258	272	284	269	289	306	319	306	329	348	362	348	375	396	413	392	422	445	464	433	466	492	513
	Lo PR	110	117	128	137	117	124	135	144	121	129	141	150	127	135	148	158	133	142	155	165	138	147	160	171
	MBh	57.6	58.7	61.5	65.6	56.3	57.4	60.1	64.1	54.9	56.0	58.6	62.6	53.6	54.6	57.2	61.0	50.9	51.9	54.4	58.0	47.2	48.1	50.3	53.7
	S/T	0.93	0.90	0.81	0.66	0.96	0.93	0.84	0.68	0.99	0.95	0.86	0.70	1.00	0.98	0.89	0.72	1.00	1.00	0.92	0.75	1.00	1.00	0.93	0.75
	ΔT	27	26	25	21	27	26	25	22	27	27	25	22	27	27	25	22	25	26	25	22	23	24	23	20
	kW	3.92	4.00	4.12	4.26	4.22	4.31	4.44	4.59	4.48	4.58	4.73	4.88	4.71	4.82	4.98	5.14	4.91	5.02	5.19	5.36	5.08	5.20	5.37	5.55
	Amps	16.5	16.8	17.3	17.9	17.6	18.0	18.6	19.2	19.0	19.4	20.0	20.7	20.2	20.6	21.3	22.0	21.4	21.9	22.5	23.3	22.5	23.1	23.8	24.6
Hi PR	237	255	270	281	266	286	303	316	303	326	344	359	345	371	392	409	388	417	441	460	429	461	487	508	
Lo PR	109	116	127	135	116	123	134	143	120	128	139	148	126	134	146	156	132	141	153	163	137	145	159	169	
MBh	53.2	54.2	56.8	60.6	51.9	52.9	55.4	59.2	50.7	51.7	54.1	57.7	49.5	50.4	52.8	56.3	47.0	47.9	50.2	53.5	43.5	44.4	46.5	49.6	
S/T	0.90	0.86	0.78	0.63	0.93	0.90	0.81	0.66	0.95	0.92	0.83	0.67	0.98	0.95	0.86	0.69	1.00	0.98	0.89	0.72	1.00	0.99	0.90	0.73	
ΔT	27	27	25	22	27	27	25	22	28	27	25	22	28	27	26	22	27	27	25	22	25	25	24	20	
kW	3.82	3.90	4.02	4.15	4.11	4.20	4.34	4.48	4.37	4.47	4.61	4.76	4.60	4.70	4.85	5.01	4.79	4.90	5.06	5.23	4.96	5.07	5.23	5.41	
Amps	16.1	16.4	16.9	17.4	17.2	17.6	18.1	18.7	18.5	19.0	19.5	20.2	19.7	20.1	20.7	21.5	20.8	21.3	22.0	22.7	22.0	22.5	23.2	24.0	
Hi PR	230	248	262	273	258	278	293	306	294	316	334	348	335	360	380	396	376	405	428	446	416	447	472	493	
Lo PR	106	113	123	131	112	119	130	139	116	124	135	144	122	130	142	151	128	136	149	159	133	141	154	164	

IDB: Entering Indoor Dry Bulb Temperature
 Design Subcooling, 12±3 °F @ the liquid access fitting connection AHR1 95 test conditions. Design Superheat 8±3 °F @ the compressor suction access fitting connection.
 Shaded area reflects AHR1 (TVA) conditions.
 Amps: Unit amps (comp. + evaporator + condenser fan motors)
 kW = Total system power

PRODUCT SPECIFICATIONS

EXPANDED HEATING DATA

WPH4324AH

	Outdoor Ambient Temperature																	
	65	60	55	50	47	45	40	35	30	25	20	17	15	10	5	0	-5	-10
MBh	27.7	26.2	24.6	23.0	22.0	21.3	19.8	18.3	17.4	16.1	14.8	14.0	13.5	12.1	10.7	9.4	8.0	6.5
T/R	29.3	27.7	26.1	24.4	23.3	22.6	21.0	19.3	18.5	17.0	15.7	14.8	14.3	12.8	11.3	9.9	8.4	6.9
kW	2.01	1.97	1.94	1.90	1.88	1.86	1.82	1.78	1.82	1.78	1.74	1.72	1.70	1.66	1.62	1.58	1.54	1.50
Amps	9.6	9.0	8.5	8.1	7.8	7.7	7.3	7.0	6.7	6.5	6.2	6.1	6.0	5.8	5.5	5.2	4.9	4.5
COP	4.02	3.88	3.73	3.55	3.43	3.36	3.18	3.00	2.81	2.65	2.50	2.39	2.32	2.13	1.94	1.73	1.52	1.28
EER	13.7	13.3	12.7	12.1	11.7	11.5	10.9	10.2	9.6	9.1	8.5	8.2	7.9	7.3	6.6	5.9	5.2	4.4
HI PR	366	351	337	323	315	309	297	285	273	261	251	245	240	231	222	213	205	198
LO PR	132	122	114	105	99	95	88	78	70	63	55	51	50	42	36	31	27	21

WPH4330AH

	Outdoor Ambient Temperature																	
	65	60	55	50	47	45	40	35	30	25	20	17	15	10	5	0	-5	-10
MBh	33.9	32.1	30.2	28.3	27.0	26.2	24.3	22.4	19.8	18.2	16.8	15.9	15.3	13.7	12.1	10.6	9.0	7.4
ΔT	29.9	28.3	26.7	24.9	23.8	23.1	21.4	19.8	17.4	16.1	14.8	14.0	13.5	12.1	10.7	9.3	8.0	6.5
kW	2.43	2.39	2.34	2.29	2.27	2.25	2.20	2.16	2.50	2.44	2.38	2.35	2.33	2.27	2.21	2.16	2.10	2.04
Amps	12.1	11.3	10.7	10.1	9.8	9.6	9.2	8.8	8.5	8.1	7.8	7.7	7.6	7.2	6.9	6.5	6.1	5.7
COP	4.08	3.94	3.78	3.61	3.49	3.41	3.23	3.04	2.32	2.19	2.06	1.98	1.92	1.77	1.61	1.44	1.26	1.06
EER	14.0	13.5	12.9	12.3	11.9	11.6	11.0	10.4	7.9	7.5	7.0	6.7	6.6	6.0	5.5	4.9	4.3	3.6
Hi PR	384	368	354	338	331	324	312	299	287	274	263	256	252	242	233	223	215	208
Lo PR	132	122	115	105	99	96	88	78	71	63	55	52	50	42	36	31	27	21

WPH4336AH

	Outdoor Ambient Temperature																	
	65	60	55	50	47	45	40	35	30	25	20	17	15	10	5	0	-5	-10
MBh	42.2	40.0	37.6	35.2	33.6	32.6	30.2	27.9	22.4	20.7	19.1	18.0	17.3	15.6	13.8	12.0	10.3	8.4
ΔT	32.6	30.9	29.0	27.1	25.9	25.1	23.3	21.5	17.3	16.0	14.7	13.9	13.4	12.0	10.6	9.3	7.9	6.5
kW	2.99	2.94	2.88	2.82	2.79	2.77	2.72	2.66	2.76	2.70	2.64	2.61	2.58	2.52	2.47	2.41	2.35	2.29
Amps	14.8	13.9	13.1	12.5	12.1	11.9	11.3	10.8	10.5	10.1	9.7	9.5	9.4	9.0	8.6	8.2	7.7	7.1
COP	4.13	3.99	3.82	3.64	3.52	3.44	3.26	3.07	2.38	2.24	2.11	2.02	1.96	1.80	1.64	1.46	1.28	1.07
EER	14.1	13.6	13.1	12.5	12.0	11.8	11.1	10.5	8.1	7.7	7.2	6.9	6.7	6.2	5.6	5.0	4.4	3.7
Hi PR	368	353	339	324	317	311	299	287	274	262	252	246	241	232	223	214	206	199
Lo PR	134	125	117	107	101	97	90	80	72	64	57	53	51	43	37	31	27	21

WPH4342AH

	Outdoor Ambient Temperature																	
	65	60	55	50	47	45	40	35	30	25	20	17	15	10	5	0	-5	-10
MBh	47.8	45.2	42.6	39.8	38.0	36.8	34.2	31.5	27.4	25.3	23.3	22.0	21.2	19.0	16.9	14.7	12.5	10.3
ΔT	31.4	29.7	27.9	26.1	25.0	24.2	22.5	20.7	18.0	16.6	15.3	14.4	13.9	12.5	11.1	9.7	8.2	6.7
kW	3.27	3.21	3.15	3.09	3.06	3.04	2.98	2.92	3.03	2.97	2.90	2.87	2.84	2.78	2.71	2.65	2.59	2.53
Amps	11.9	11.2	10.7	10.2	9.9	9.8	9.4	9.0	8.8	8.5	8.2	8.1	8.0	7.8	7.4	7.1	6.8	6.4
COP	4.27	4.12	3.95	3.76	3.63	3.55	3.36	3.16	2.65	2.50	2.35	2.25	2.18	2.00	1.82	1.62	1.42	1.19
EER	14.6	14.1	13.5	12.9	12.4	12.1	11.5	10.8	9.0	8.5	8.0	7.7	7.5	6.8	6.2	5.5	4.8	4.1
Hi PR	355	341	327	313	306	300	288	277	265	253	243	237	233	224	216	207	199	192
Lo PR	130	121	113	104	98	94	87	77	70	62	55	51	49	41	36	30	26	21

Above data is for nominal CFM and 70° indoor dry bulb. Instantaneous capacity listed.
High pressure is measured at the liquid line access fitting. kW = Total system power

Amps = Unit amps (comp.+ evaporator motor + condenser fan motor)
Low pressure is measured at the compressor suction access fitting.

EXPANDED HEATING DATA (CONT.)

WPH4348AH

	Outdoor Ambient Temperature																	
	65	60	55	50	47	45	40	35	30	25	20	17	15	10	5	0	-5	-10
MBh	55.9	53.0	49.8	46.6	44.5	43.1	40.1	36.9	32.4	29.9	27.5	26.0	25.0	22.5	19.9	17.4	14.8	12.1
ΔT	32.4	30.6	28.8	27.0	25.8	25.0	23.2	21.4	18.7	17.3	15.9	15.0	14.5	13.0	11.5	10.1	8.6	7.0
kW	3.72	3.65	3.58	3.52	3.48	3.45	3.38	3.32	3.40	3.33	3.26	3.22	3.19	3.12	3.05	2.98	2.90	2.83
Amps	19.1	17.9	16.9	16.1	15.6	15.4	14.6	14.0	13.5	13.1	12.6	12.3	12.2	11.7	11.1	10.6	10.0	9.3
COP	4.40	4.24	4.07	3.88	3.74	3.66	3.46	3.26	2.79	2.63	2.47	2.37	2.30	2.11	1.91	1.71	1.49	1.25
EER	15.0	14.5	13.9	13.2	12.8	12.5	11.8	11.1	9.5	9.0	8.4	8.1	7.9	7.2	6.5	5.8	5.1	4.3
Hi PR	366	351	337	323	315	309	297	285	273	261	250	244	240	231	222	213	205	198
Lo PR	130	121	113	104	98	94	87	77	70	62	55	51	49	41	36	30	26	21

WPH4360AH

	Outdoor Ambient Temperature																	
	65	60	55	50	47	45	40	35	30	25	20	17	15	10	5	0	-5	-10
MBh	68.5	64.9	61.0	57.1	54.5	52.8	49.1	45.2	39.9	36.8	33.9	32.0	30.8	27.6	24.5	21.4	18.2	14.9
ΔT	34.3	32.5	30.6	28.6	27.3	26.4	24.5	22.6	20.0	18.4	17.0	16.0	15.4	13.8	12.3	10.7	9.1	7.5
kW	5.30	5.19	5.09	4.98	4.92	4.87	4.77	4.67	41.89	40.71	39.57	38.88	38.42	37.24	36.10	34.96	33.78	32.64
Amps	22.8	21.3	20.1	19.0	18.4	18.0	17.1	16.3	15.7	15.1	14.5	14.2	14.0	13.4	12.6	12.0	11.2	10.3
COP	3.78	3.65	3.51	3.35	3.24	3.17	3.01	2.84	0.28	0.26	0.25	0.24	0.23	0.22	0.20	0.18	0.16	0.13
EER	12.9	12.5	12.0	11.5	11.1	10.8	10.3	9.7	1.0	0.9	0.9	0.8	0.8	0.7	0.7	0.6	0.5	0.5
Hi PR	370	354	341	326	318	312	300	288	276	263	253	247	242	233	224	215	207	200
Lo PR	125	116	108	99	94	90	83	74	67	60	52	49	47	40	34	29	25	20

Above data is for nominal CFM and 70° indoor dry bulb. Instantaneous capacity listed.
High pressure is measured at the liquid line access fitting. kW = Total system power

Amps = Unit amps (comp.+ evaporator motor + condenser fan motor)
Low pressure is measured at the compressor suction access fitting.

PRODUCT SPECIFICATIONS

HEAT KIT ELECTRICAL DATA (BLOWER ONLY, HEAT MODE)

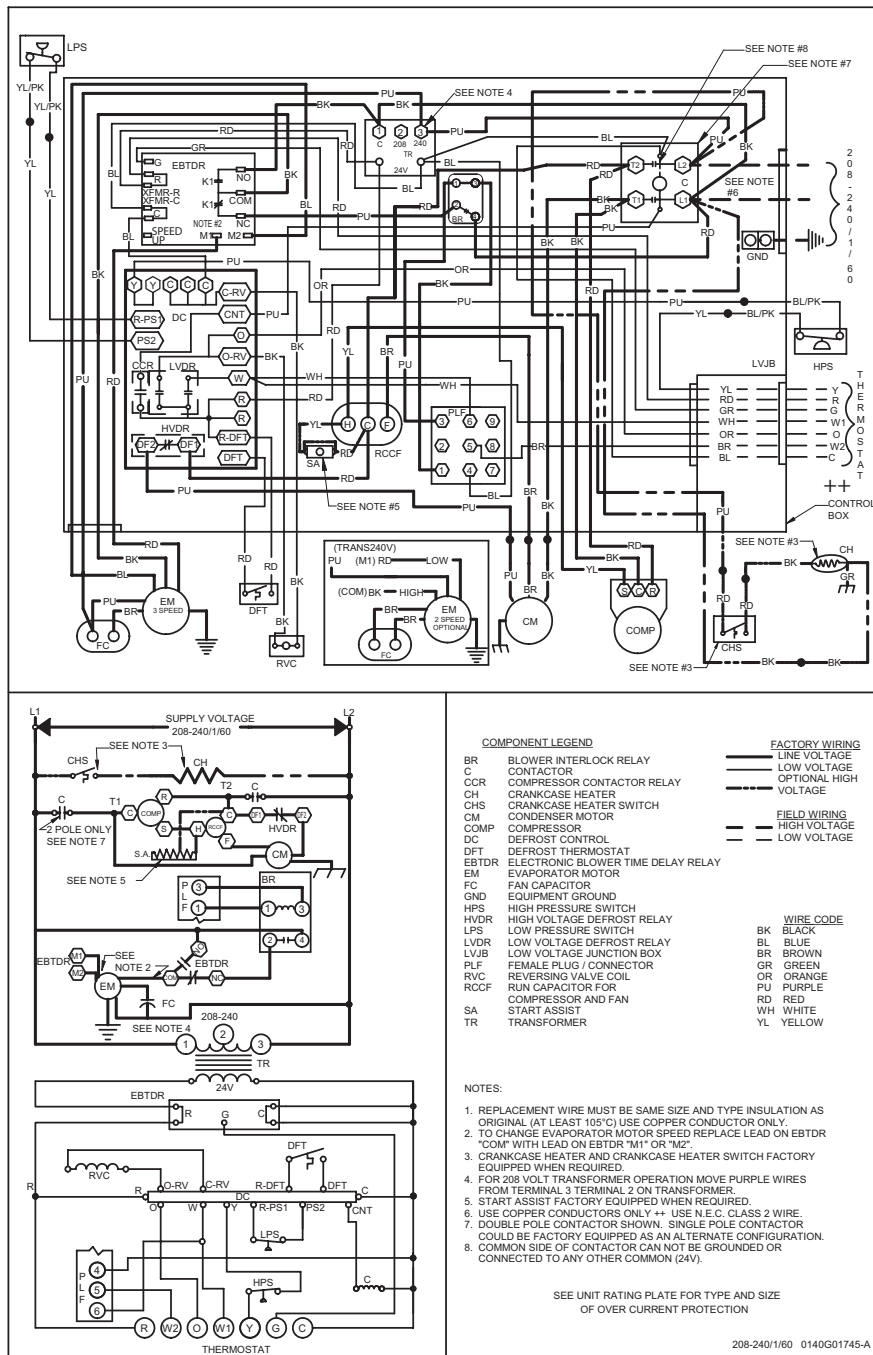
Model & Heat Kit Usage	Circuit #1		Circuit #2		Actual kW / BTU@ 240V
	MCA ¹	MOD ²	MCA ¹	MOD ²	
WPH4324AH	1.5 / 1.5	--	--	--	--
HKR-05*, HKR-05C*	24 / 27	30 / 30	--	--	4.75 / 16,200
HKR-08*, HKR-08C*	33 / 38	40 / 40	--	--	7 / 23,800
HKR-10*, HKR-10C*	45 / 51	60 / 60	--	--	9.5 / 32,400
WPH4330AH	2.4 / 2.4	--	--	--	--
HKR-05*, HKR-05C*	24 / 27	30 / 30	--	--	4.75 / 16,200
HKR-08*, HKR-08C*	34 / 39	40 / 40	--	--	7 / 23,800
HKR-10*, HKR-10C*	45 / 52	60 / 60	--	--	9.5 / 32,400
HKR-15*, HKR-15C*	45 / 52	60 / 60	22 / 25	30 / 30	14.25 / 48,600
WPH4336AH	2.4 / 2.4	--	--	--	--
HKR-05*, HKR-05C*	24 / 27	30 / 30	--	--	4.75 / 16,200
HKR-08*, HKR-08C*	34 / 39	40 / 40	--	--	7 / 23,800
HKR-10*, HKR-10C*	45 / 52	60 / 60	--	--	9.5 / 32,400
HKR-15*, HKR-15C*	45 / 52	60 / 60	22 / 25	30 / 30	14.25 / 48,600
WPH4342AH	3.9 / 3.9	--	--	--	--
HKR-05*, HKR-05C*	25 / 27	30 / 30	--	--	4.75 / 16,200
HKR-08*, HKR-08C*	34 / 39	40 / 40	--	--	7 / 23,800
HKR-10*, HKR-10C*	46 / 52	60 / 60	--	--	9.5 / 32,400
HKR-15*, HKR-15C*	46 / 52	60 / 60	22 / 25	30 / 30	14.25 / 48,600
WPH4348AH	3.9 / 3.9	--	--	--	--
HKR-05*, HKR-05C*	25 / 28	30 / 30	--	--	4.75 / 16,200
HKR-08*, HKR-08C*	34 / 40	40 / 40	--	--	7 / 23,800
HKR-10*, HKR-10C*	46 / 53	60 / 60	--	--	9.5 / 32,400
HKR-15*, HKR-15C*	46 / 52	60 / 60	22 / 25	30 / 30	14.25 / 48,600
HKR-20*, HKR-20C*	46 / 52	60 / 60	43 / 49	60 / 60	19.5 / 66,500
WPH4360AH	6.0 / 6.0	--	--	--	--
HKR-05*, HKR-05C*	26 / 30	30 / 30	--	--	4.75 / 16,200
HKR-08*, HKR-08C*	36 / 40	40 / 40	--	--	7 / 23,800
HKR-10*, HKR-10C*	48 / 54	60 / 60	--	--	9.5 / 32,400
HKR-15*, HKR-15C*	48 / 54	60 / 60	22 / 25	30 / 30	14.25 / 48,600
HKR-20*, HKR-20C*	48 / 54	60 / 60	43 / 49	60 / 60	19.5 / 66,500

¹ Minimum Circuit Ampacity @ 208 / 240V

² Maximum Overcurrent Protection (amps) @ 208 / 240V

* Indicates revision letter that may or may not be designated

WIRING DIAGRAM — WPH4324-4348



WARNING

HIGH VOLTAGE!

Disconnect all power before servicing or installing this unit.

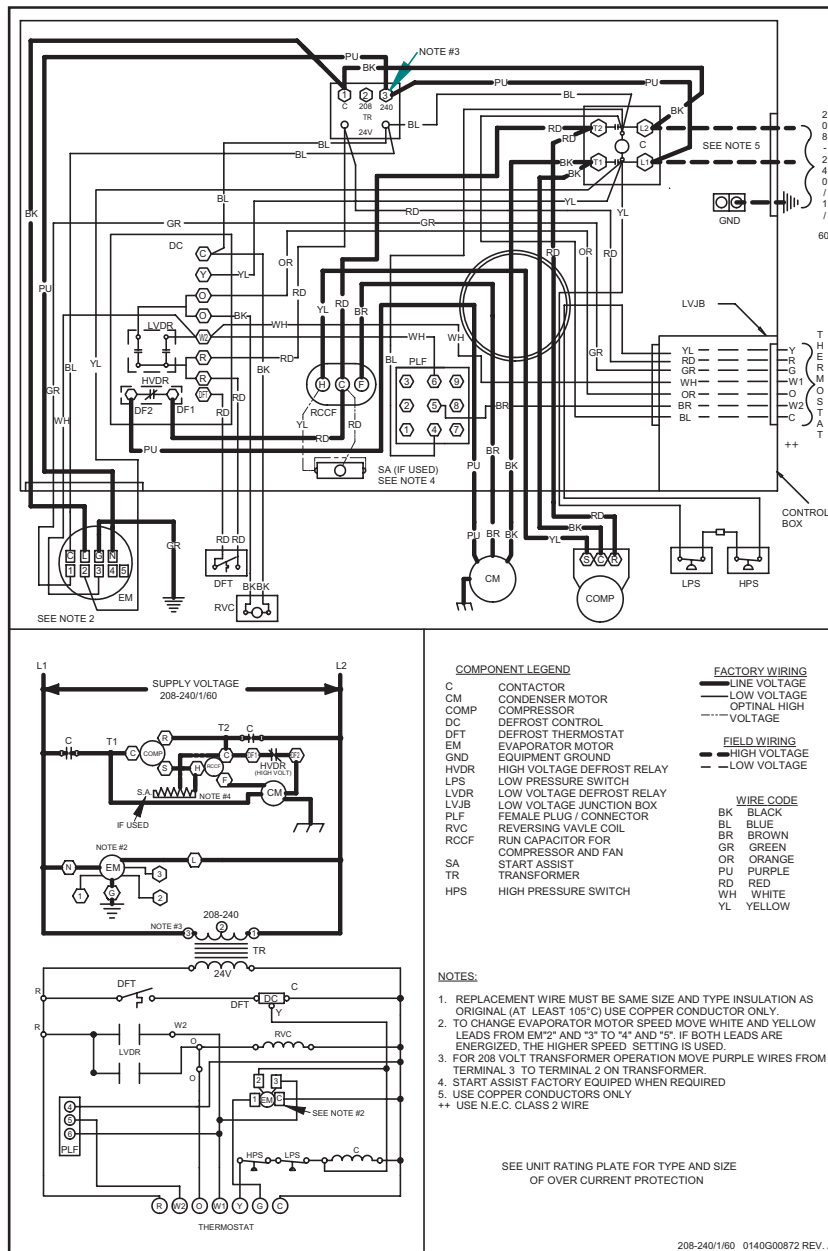
Multiple power sources may be present.

Failure to do so may cause property damage, personal injury, or death.

Wiring is subject to change. Always refer to the wiring diagram on the unit for the most up-to-date wiring.

PRODUCT SPECIFICATIONS

WIRING DIAGRAM — WPH4360AH



WARNING

HIGH VOLTAGE!

Disconnect all power before servicing or installing this unit.

Multiple power sources may be present.

Failure to do so may cause property damage, personal injury, or death.

Wiring is subject to change. Always refer to the wiring diagram on the unit for the most up-to-date wiring.

